


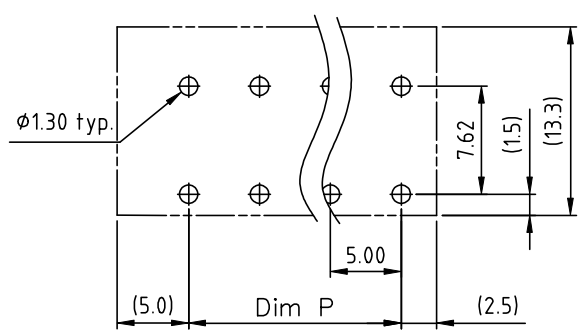
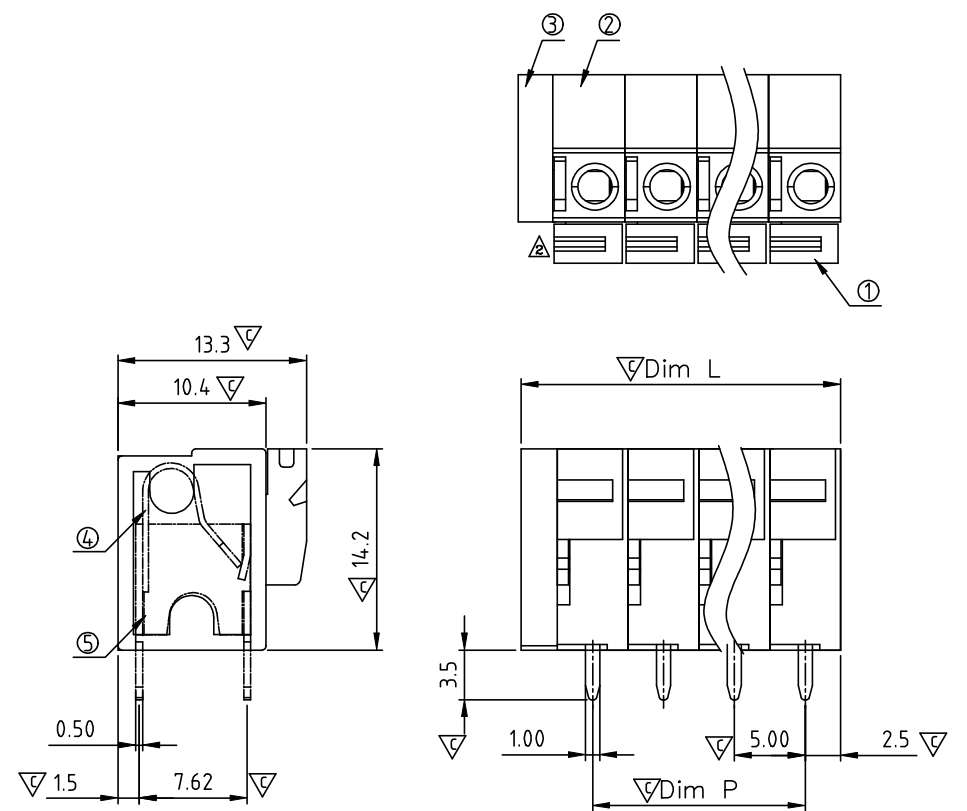


SIGN	DATE	DESCRIPTION	APPROVER
△	01/20'07	The Soldering temperature from 245° to 250°	Aaron
△	2010.08.12	The design is changed	Chen Bo
△	11/13'12	update the drawing	Da cheng
△	10/13'14	update the drawing	Airy min

*THIS IS CAD DRAWING, DO NOT REVISE MANUALLY!!!*

- △ Material:
- Item ① Lever: Thermoplastic (UL94V-0) Orange (RAL2011/P)
  - Item ② Terminal body: Thermoplastic (UL94V-0)
  - Item ③ cover: Thermoplastic (UL94V-0)
  - Item ④ Spring clamp: Stainless steel
  - Item ⑤ contact pin: Brass.Tin plated
- Electrical cULus/VDE
- Voltage rating: 300VAC/250VAC
  - Current rating: 10A/10A
  - Wire range: 0.75-1.5mm<sup>2</sup>
  - Solid wire(AWG): 14-24
  - Stranded wire(AWG): 14-24
  - Wire strip length: 9-10mm
  - Withstanding Voltage: 1.6KV/2KV
  - Operating temperature: -40°C to +115°C
  - Soldering temperature: 260°C±5°C/5 Sec
  - Safety Approval:  
  - Critical dimension: 



△ P.C.B. LAYOUT  
Bottom view

△ N = Number of poles  
Dim L=Nx5.0+2.54  
Dim P=(N-1)x5.0

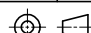
POLES	Dim L	Dim P
1p	±0.10	
2-6p	±0.15	±0.10
7-12p	±0.20	±0.20
13-18p	±0.30	±0.25
19-24p	±0.40	±0.30

△ HA xx 30 x 0 xxxx G

No. OF POLES: 01 1 POLE, 02 2 POLES, 03 3 POLES, ..., 24 24 POLES

BODY COLOR: 2 Red(RAL3001/D), 5 Green(RAL6018/T), 8 Grey(RAL7004/P), C Multiple colors

RoHS compliant (lead<4%)  
In copper Alloy  
0000: "@" Logo (Standard)  
000A: "ANYTEK" Mark  
Any special item by customer request. please contact sales department.

ANYTEK				CUSTOMER COPY			
ALL RIGHTS RESERVED. REPRODUCTION OR ISSUE TO THIRD PARTIES IN ANY FORM WHATSOEVER IS NOT PERMITTED WITHOUT WRITTEN AUTHORITY FROM THE PROPRIETOR. PROPERTY OF ANYTEK TECHNOLOGY CO., LTD							
TITLE	HA-5.0mm 90°			DWG NO.	8HA0007		
PART NO.	HAxx30x0xxxxG			CUST NO.			
APPROVED	CHECKED	DESIGNED	DRAWN	 UNIT: mm SCALE: NONE SHEET: 01/01 REV.: G			
		Airy min 2014.10.13	Airy min 2014.10.13				
				Tolerance			
				X.	±0.50		
				X.X	±0.30		
				X.XX	±0.10		
				X°	±1°		