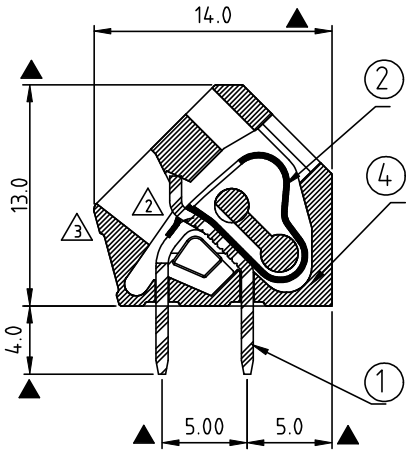
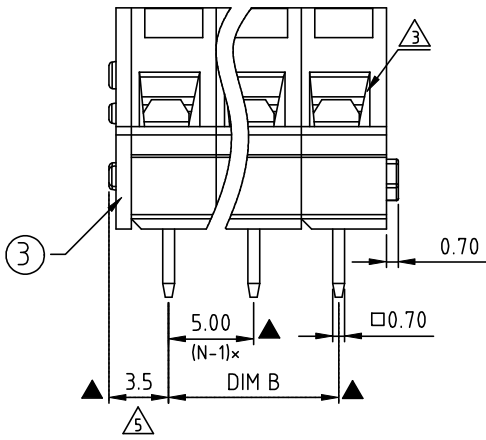
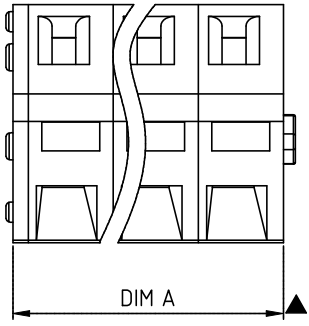


REV	SIGN	DATE	DESCRIPTION	APPROVER
D	△	01/27'07	The soldering temperature from 245° to 250°	Aaron
E	△	10/09'12	Update the drawing	Da cheng
F	△	04/19'13	Update the drawing	Jacky
G	△	02/06'17	Add the TUV safety certification and electrical specifications	Chen Bo
	△	02/06'17	Change the dimension from 3.8 to 3.5	Chen Bo

*THIS IS CAD DRAWING, DO NOT REVISE MANUALLY!!!*



**△2 Material**

- Item ① Contact pin: Brass, Bright Tin plated over Nickel plated
- Item ② Spring clamp: Stainless steel
- Item ③ Terminal Cover: Thermoplastic (UL94V-0)
- Item ④ Terminal Body: Thermoplastic (UL94V-0)

**Electrical**

- Voltage rating: 300V
- Current rating: 15A
- Wire range: 0.2-4.0mm<sup>2</sup>
- Solid wire(AWG): 12-28
- Stranded wire(AWG): 12-28
- Wire strip length: 5-6mm
- Withstanding Voltage: 1.6KV 2.5KV
- Operating temperature: -40°C to +115°C
- Soldering temperature: 260°C±5°C/5 Sec
- Safety Approval:
- Critical dimension: ▲

HG xx 00 x 0 xxxx G

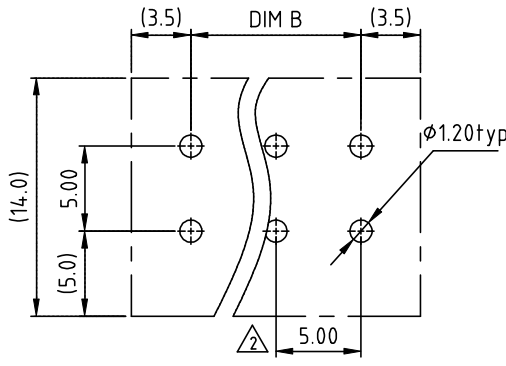
- ③ 01 1 CONTACTS
  - ③ 02 2 CONTACTS
  - ... ..
  - ③ 24 24 CONTACTS
- ③ Color
- 0 Black (RAL9005)
  - 2 Red (RAL3001/D)
  - 3 Orange(RAL2011/P)
  - 4 Yellow(RAL1018/A)
  - 5 Green(RAL6018/T)
  - 6 Blue (RAL5015/A)
  - 8 Grey(RAL7004/P)
  - 9 White(RAL1102)
  - C Multiple colors
- G: RoHs compliant △2 (lead<4%) In copper Alloy
- 000 0 Standard @ Logo
  - 000 A Standard ANY Logo
- Any special item by customer request, please contact sales department.

**△2 Dimension**

DIM A	Nx5.0+0.9
DIM B	(N-1)x5.0

△2 N=Number of poles

POLES	DIM B	DIM A
1P		±0.10
2p-6p	±0.15	±0.20
7p-12p	±0.20	±0.25
13p-18p	±0.25	±0.30
19p-24p	±0.35	±0.40



PCB LAYOUT  
△2 Bottom view

<b>Amphenol ANYTEK</b>				<b>CUSTOMER COPY</b>	
ALL RIGHTS RESERVED. REPRODUCTION OR ISSUE TO THIRD PARTIES IN ANY FORM WHATSOEVER IS NOT PERMITTED WITHOUT WRITTEN AUTHORITY FROM THE PROPRIETOR. PROPERTY OF ANYTEK TECHNOLOGY CO., LTD					
TITLE		HG 5.0mm Series			
PART NO.		HGxx00x0xxxxG		DWG NO. 8HG0001	
APPROVED	CHECKED	DESIGNED	DRAWN	CUST NO.	
		Chen Bo 02/06-17	Chen Bo 02/06-17		
				UNIT: mm SCALE: NONE SHEET: 01/01 REV.: G	
				Tolerance X. ±0.50 X.X ±0.30 X.XX ±0.10 X° ±1°	