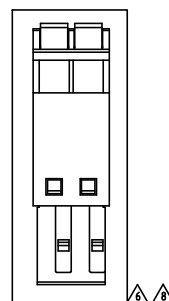
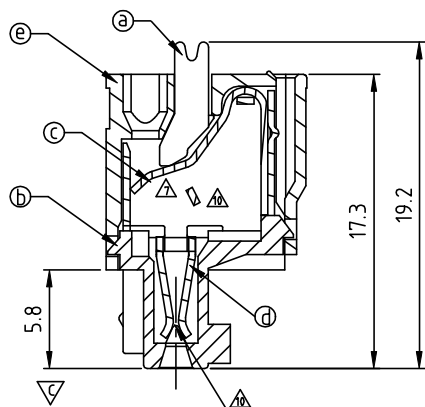


N = Number of poles
 Dim L=(N-1)x2.5+3.1
 Dim P=(N-1)x2.5

	Dim L	Dim P
2-6p	±0.10	
7-12p	±0.15	
13-18p	±0.20	
19-24p	±0.30	



2P mark

HW xx B 0 x 0 xxxx G

No. OF POLES
 02: 2 POLES
 ...
 24: 24 POLES

Color
 0 Black (RAL9005)
 2 Red (RAL3001/D)
 5 Green(RAL6018/T)
 6 Blue (RAL5015/A)
 8 Grey(RAL7035/D)
 C Green(RAL6018/U)

RoHS compliant (lead<4%)
 In copper Alloy
 0000: "@" Logo (Standard)
 000A: "ANYTEK" Mark
 Any special item by customer request.
 please contact sales department.

SIGN	DATE	DESCRIPTION	APPROVER
△	2009.5.13	The design is changed	Jacke
△	2009.5.13	The voltage rating and withstanding Voltage are changed	Jacke
△	2009.5.13	The Operating temperature is changed	Jacke
△	2009.5.13	Add UL standard	Jacke
△	11/21'09	The normal grey No. changed from RAL7004/P to RAL7035/D	Kind
△	03/17'10	Add the 2P mark	Runner
△	05/22'10	Structure changed	Runner
△	09/01'10	The design is changed	Runner
△	05/28'12	Add the color	Runner
△	11/11'13	change the structure	Da cheng
△	05/11'16	Add the color	XU

THIS IS CAD DRAWING, DO NOT REVISE MANUALLY!!!

Material:

- △ ● Item a Insulator(lever): Thermoplastic (UL94V-0) Orange (RAL2011/P)
- Item b Down Insulator(housing): Thermoplastic (UL94V-0)
- Item c Wire guard: Stainless steel
- Item d Terminal Body(contact pin): PhBz.Tin plated
- Item e Up Insulator(housing): Thermoplastic (UL94V-0)

Electrical: cULus

- △ ● Voltage rating: 150V
- Current rating: 4A
- Wire range:
- Solid wire(AWG): 20-28
- Stranded wire(AWG): 20-28
- △ ● Wire strip length: 7-8mm
- △ ● Withstanding Voltage: 1.3KV
- △ ● Operating temperature: -40°C to +115°C
- △ ● Safety Approval:
- Critical dimension:

Amphenol ANYTEK				CUSTOMER COPY			
ALL RIGHTS RESERVED. REPRODUCTION OR ISSUE TO THIRD PARTIES IN ANY FORM WHATSOEVER IS NOT PERMITTED WITHOUT WRITTEN AUTHORITY FROM THE PROPRIETOR. PROPERTY OF ANYTEK TECHNOLOGY CO., LTD							
TITLE		HW 2.5mm Series					
PART NO.		HWxxB0x0xxxxG			DWG NO.		8HW0342
APPROVED		CHECKED	DESIGNED	DRAWN	CUST NO.		Tolerance
			Xu 2016/05/11	Xu 2016/05/11			X. ±0.50
							UNIT: mm
					SHEET: 01/01		X.XX ±0.10
					REV.: J		X° ±1°