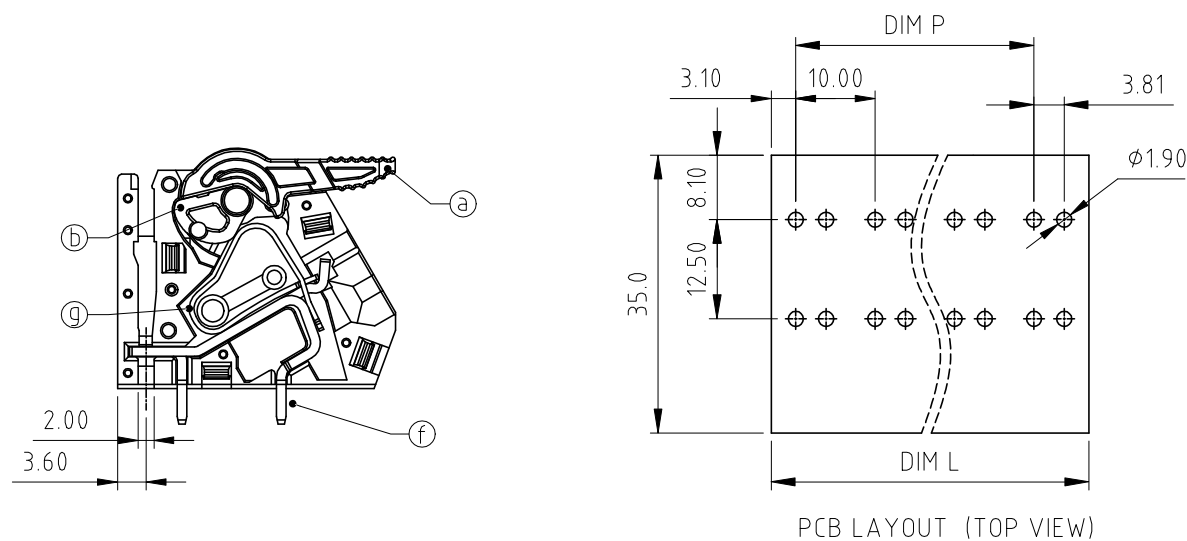
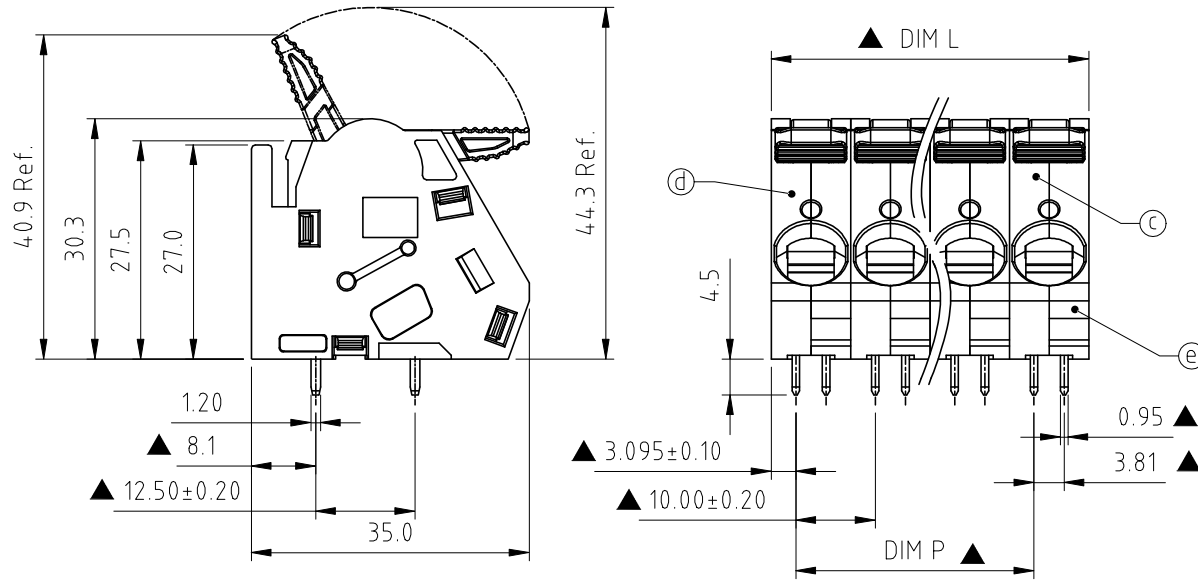


RoHS Compliant

N=NUMBER OF CONTACTS

DIM		TOL				
		1P	2P	3P-4P	5P-8P	9P-12P
Dim L	N×10.0	±0.20	±0.40	±0.40	±0.50	±0.60
Dim P	(N-1)×10.0	/	±0.20	±0.40	±0.50	±0.60



PCB LAYOUT (TOP VIEW)

REV	SIGN	DATE	DESCRIPTION	APPROVER
D	△	2019.09.27	Modify the Struction	LENA
E	△	2021.11.01	Add TUV certification	Rhine

THIS IS CAD DRAWING, DO NOT REVISE MANUALLY!!!

Material:

- Item (a) Lever: Thermoplastic (UL 94V-0),
 - Item (b) Cam: Thermoplastic (UL 94V-0),
 - Item (c) Middle Body: Thermoplastic (UL 94V-0),
 - Item (d) Left side body: Thermoplastic (UL 94V-0),
 - Item (e) Right side body: Thermoplastic (UL94V-0),
 - Item (f) Contact: Copper,Matte Tin plated over Nickel plated,
 - Item (g) Spring clamp: Stainless steel
- △ Electrical: cULus TUV(EN/IEC 60947-7-4)
- Voltage rating: 300 V 400V (III/3) 400V(III/2) 800V(II/2)
 - Current rating: 55A 76A
 - Wire range(AWG): 16-6 (Solid & Stranded)
 - Wire range: 0.75mm²-10mm²(Flexible) 0.75mm²-16mm²(Solid & Rigid stranded)
 - Wire strip length: 12-13 mm
 - Withstanding Voltage: 1.6KV 3.1KV
 - Rated impulse Withstanding Voltage: 4KV
 - Operating temperature: -40°C to +115°C
 - Soldering temperature: 260°C±5°C/5 Sec
 - Safety Approval:
 - Critical dimension:
 - Part No.:

NZ XX 0 0 X A XXXX G

- | | | |
|--------------|---------------------|---------------------------|
| No. OF POLES | Body Color | RoHS compliant (lead<4%) |
| 01 1Pole | 0 Black (RAL9005) | In copper Alloy |
| 02 2 Poles | 2 Red (RAL3001/D) | 0000: "@" Logo (Standard) |
| | 3 Orange(RAL2011/P) | 000A: "ANYTEK" Mark |
| 12 12 Poles | 4 Yellow(RAL1018/A) | |
| | 5 Green(RAL6018/T) | |
| | 6 Blue (RAL5015/A) | |
| | 8 Grey(RAL7004/P) | |
| | 9 White(RAL1102) | |
| | C Multiple colors | |

Amphenol		CUSTOMER COPY	
ANYTEK		ALL RIGHTS RESERVED. REPRODUCTION OR ISSUE TO THIRD PARTIES IN ANY FORM WHATSOEVER IS NOT PERMITTED WITHOUT WRITTEN AUTHORITY FROM THE PROPRIETOR. PROPERTY OF ANYTEK TECHNOLOGY CO., LTD	
TITLE	NZ 10.0mm Pitch, with Jumper Slot Series		
PART NO.	NZ XX00XAXXXXG	DWG NO.	8NZ0001
APPROVED	CHECKED	DESIGNED	DRAWN
		Rhine 2021.11.01	Rhine 2021.11.01
SHEET: 01/01		UNIT: mm	Tolerance
		SCALE: 1:1	X. ±0.50
		REV.: E	X.X ±0.30
			X.XX ±0.10
			X* ±1°