

RoHS Compliant

REV	SIGN	DATE	DESCRIPTION	APPROVER
B		04/01-20	Initial release	Chen Bo
	⚠			

THIS IS CAD DRAWING, DO NOT REVISE MANUALLY!!!

- Item Ⓐ Male contact pin: Copper
- Item Ⓑ Terminalhousing: PA66 (UL94V-0)
- Item Ⓒ Register Pin: Brass ,Bright-tin plated over Nickel plated

Electrical: cULus
Group B Group C

- Voltage rating: 150V 50V
- Current rating: 6A 6A
- Withstanding Voltage: 1.3KV
- Operating temperature: -40°C to +115°C
- Wave soldering temperature: 260°C±5°C/5 Sec
- Critical dimension: ▲
- Safety Approval: cULus

How to order:

OQ xx C1 x x xxxx G

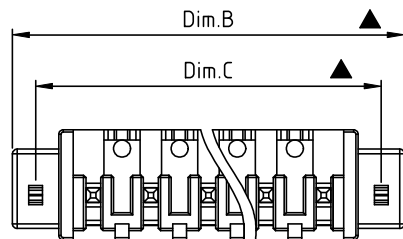
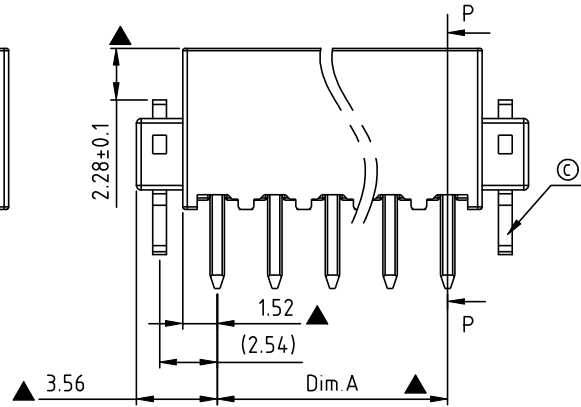
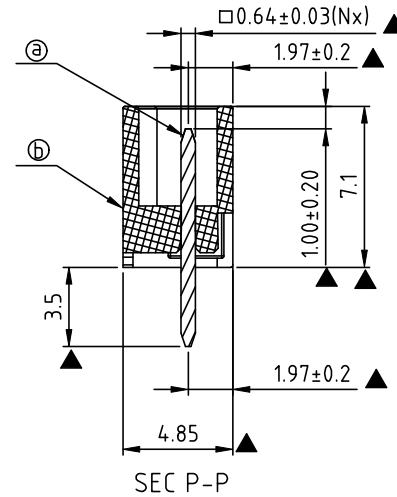
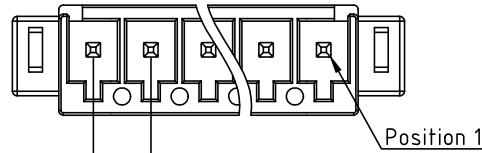
No. OF POLES
02: 2 POLES
:
16: 16 POLES

Color

- 0 Black (RAL9005)
- 2 Red (RAL3001/D)
- 3 Orange(RAL2011/P)
- 4 Yellow(RAL1018/A)
- 5 Green(RAL6018/T)
- 6 Blue (RAL5015/A)
- 8 Grey(RAL7035/D)
- 9 White(RAL1102)
- C Green(RAL6018/U)

RoHS compliant
(lead<4%)
In copper Alloy
0000: "@ " Logo (Standard)
000A: "ANYTEK" Mark
Any special item by
customer request.
please contact sales
department.

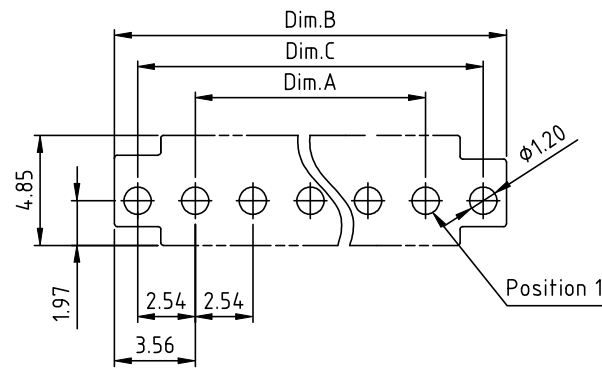
0:180° Au G/F plated
1:180° Bright-tin plated



N=Number of poles

Dim A	(N-1)×2.54
Dim B	(N-1)×2.54+7.12
Dim C	(N-1)×2.54+5.08

POLES	Tol	Dim.	Dim.A/B/C
2p-5p			±0.20
6p-16p			±0.25



RECOMMENDED PCB LAYOUT

Amphenol
ANYTEK

CUSTOMER COPY

ALL RIGHTS RESERVED. REPRODUCTION OR ISSUE TO THIRD PARTIES IN ANY FORM WHATSOEVER IS NOT PERMITTED WITHOUT WRITTEN AUTHORITY FROM THE PROPRIETOR. PROPERTY OF ANYTEK TECHNOLOGY CO., LTD

TITLE		OQ 2.54mm Series 2P-16P 180° THT type				
PART NO.		OQxxC1xxxxxxG		DWG NO.		80Q11005
APPROVED	CHECKED	DESIGNED	DRAWN	CUST NO.		Tolerance
		Chen Bo	Chen Bo			X. ±0.50
		04/01-20	04/04-19			X.X ±0.30
						X.XX ±0.10
				SHEET: 01/01		X° ±1°
				UNIT: mm		
				SCALE: NONE		
				REV.: B		