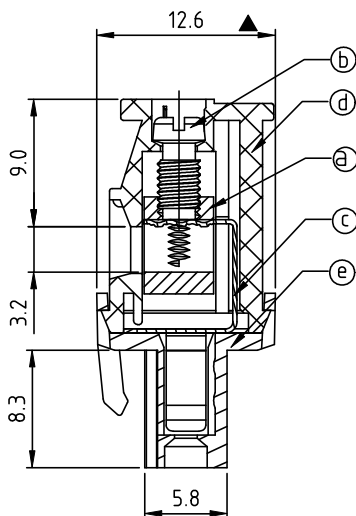
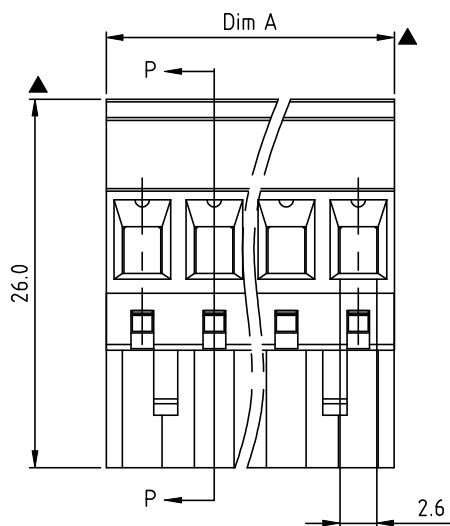
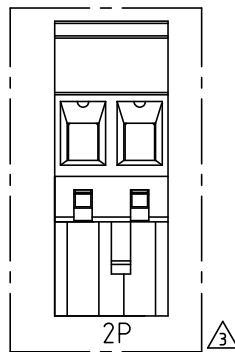
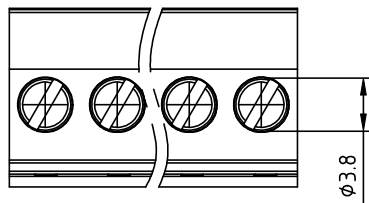
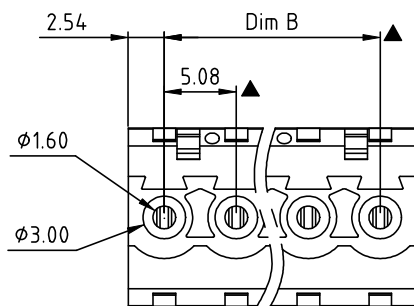


RoHS Compliant



SECTION P-P



DIMENSION

Dim A	Nx5.08
Dim B	(N-1)x5.08

N= Number of poles

Poles	Tolerance Dim A/B
2P-6P	±0.15
7P-12P	±0.25
13P-18P	±0.30
19P-24P	±0.40

REV	SIGN	DATE	DESCRIPTION	APPROVER
D		11.01'05	Standard spec is changed.	Marivn
E		8/07'06	Added VDE and TUV standard	梁仁松
F		2010.03.12	Add the 2p mark	Jacke
G		08/06-20	update the drawing	Chen Bo

THIS IS CAD DRAWING, DO NOT REVISE MANUALLY!!!

Material

- Item① Clamp: Brass(CuZn) Ni plated
- Item② Terminal screw: Steel Zinc plating "-" slot type
- Item③ Female contact: PhBz, Bright Tin plated over Nickel plated
- Item④ Terminal (housing): Thermoplastic (UL94V-0)
- Item⑤ Terminal (cover): Thermoplastic (UL94V-0)

Electrical cULus/VDE/TUV

- Voltage rating: 300VAC/300VAC/300VAC
- Current rating: 15A/17A/15A
- Wire range: 2.5mm² /0.34-2.5mm²
- Solid wire(AWG): 12-24
- Stranded wire(AWG): 12-24
- Torque: 3.5Lb-In./0.5Nm/0.4Nm
- Screw: M3
- Wire strip length: 6-7mm
- Withstanding Voltage: 1.6KV/2.5KV/2.5KV
- Operating temperature: -40°C to +115°C
- Safety approval:
- Critical dimension:

TS xx 51x A xxxx G

No. OF POLES		G	RoHS compliant (lead<4%) In copper Alloy
02: 2 POLES			
... ..			
24: 24 POLES	Color		0000: "@" Logo 000A: "ANYTEK" Mark 0091: "ANYTEK" Mark Any special item by customer request. please contact sales department.
	0 Black (RAL9005)		
	2 Red (RAL3001/D)		
	3 Orange(RAL2011/P)		
	4 Yellow(RAL1018/A)		
	5 Green(RAL6018/T)		
	6 Blue (RAL5015/A)		
	8 Grey(RAL7035/D)		
	9 White(RAL1102)		
	C Green(RAL6018/U)		

Amphenol
ANYTEK

CUSTOMER COPY

ALL RIGHTS RESERVED. REPRODUCTION OR ISSUE TO THIRD PARTIES IN ANY FORM WHATSOEVER IS NOT PERMITTED WITHOUT WRITTEN AUTHORITY FROM THE PROPRIETOR. PROPERTY OF ANYTEK TECHNOLOGY CO., LTD

TITLE		TS-5.08mm Series 2P-24P (W/latching hooks on the wire entry side)			
PART NO.	TSxx51xAxxxxG	DWG NO.	8TS0101		
APPROVED	CHECKED	DESIGNED	DRAWN	CUST NO.	Tolerance
		Chen Bo 08/06-20	Jacke 2010.03.13		X. ±0.50 X.X ±0.30 X.XX ±0.10 X° ±1°
SHEET: 01/01				UNIT: mm	
				SCALE: NONE	
				REV.: G	