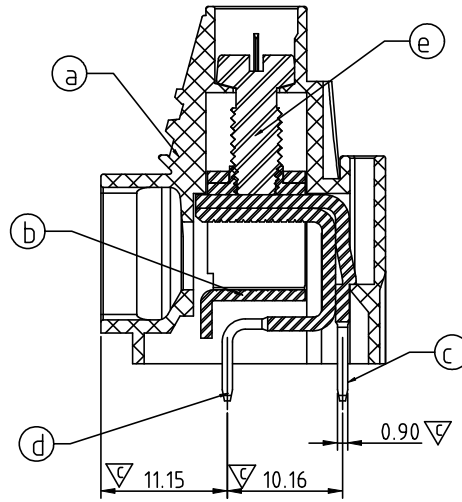
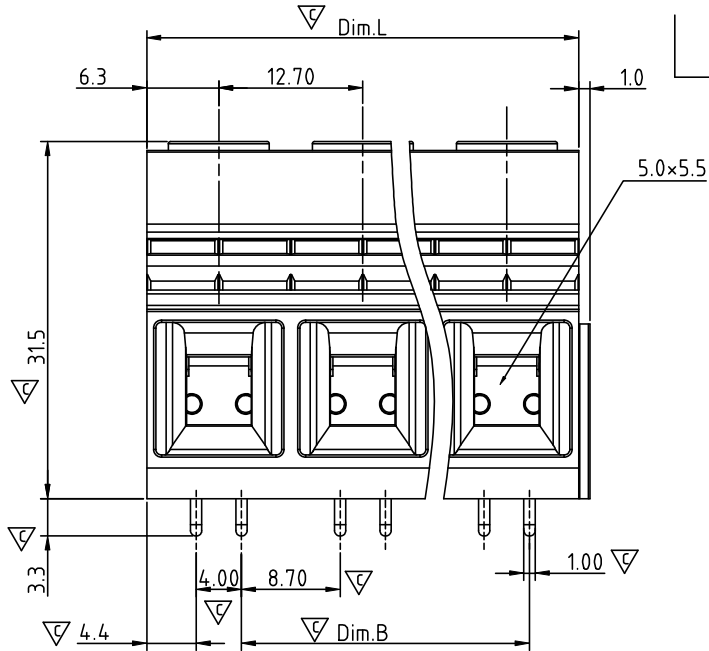
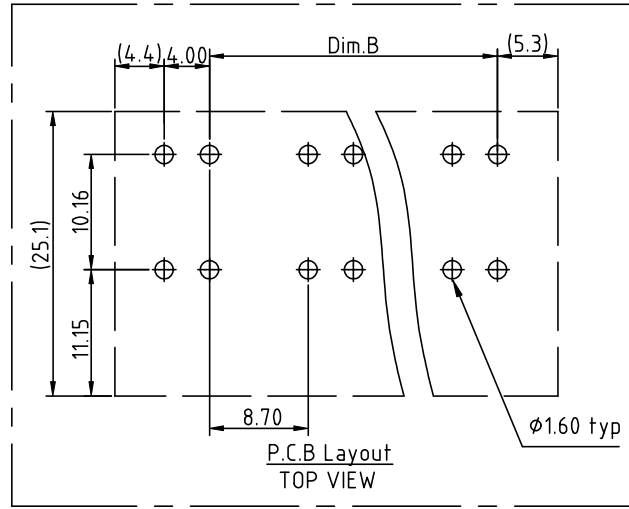
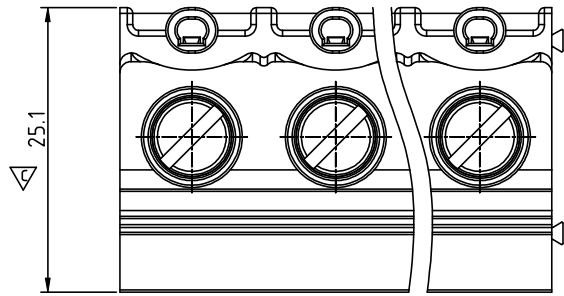


SIGN	DATE	DESCRIPTION	APPROVER
△			

THIS IS CAD DRAWING, DO NOT REVISE MANUALLY!!!



- Material:
- Item@ Terminal housing : Thermoplastic (UL 94V-0)
 - ItemⒹ Clamp : Steel stamping , Zinc plated
 - ItemⒸ Side contact pin : Copper, Bright Tin plated over Nickel plated
 - ItemⒺ Middle contact pin : Copper, Bright Tin plated over Nickel plated
 - Item@ Terminal screw: Steel , Zinc plating"-slot type
- Electrical cULus
- Voltage rating : 300V
 - Current rating : 65A
 - Wire range : 16.00mm²
 - Solid wire (AWG) : 6-20
 - Stranded wire (AWG) : 6-20
 - Torque (LB-In.) : 19LB-In
 - Screw : M4.5
 - Wire strip length : 10-11mm
 - Withstanding voltage : 2.2KV 6KV
 - Operating temperature : -40°C+115°C
 - Soldering temperature : 260°C±5°C/5 Sec
 - Safety Approval : cULus
 - Critical dimension: ∇

VP xx 85 x 8 xxxx G

02	2 Poles	Color	G RoHS compliant (lead<4%)
03	3 Poles	0 Black (RAL9005)	0000:"@Logo (Standard)
...	...	2 Red (RAL3001/D)	000A:"ANYTEK"Logo
12	12 Poles	3 Orange(RAL2011/P)	Any special item by customer request, please contact sales department.
		4 Yellow(RAL1018/A)	
		5 Green(RAL6018/T)	
		6 Blue (RAL5015/A)	
		8 Grey(RAL7035/D)	
		C Green(RAL6018/U)	

Poles	02	03	04	05	06	07	08	09	10	11	12	
Dim L	25.40	38.10	50.80	63.50	76.20	88.90	101.60	114.30	127.0	139.70	152.40	
Dim B	12.70	25.40	38.10	50.80	63.50	76.20	88.90	101.60	114.30	127.0	139.70	
TOL	±0.15					±0.20					±0.30	

ANYTEK

CUSTOMER COPY

ALL RIGHTS RESERVED. REPRODUCTION OR ISSUE TO THIRD PARTIES IN ANY FORM WHATSOEVER IS NOT PERMITTED WITHOUT WRITTEN AUTHORITY FROM THE PROPRIETOR. PROPERTY OF ANYTEK TECHNOLOGY CO., LTD

TITLE	VP 12.70 Series (0.9x1.0) Contacts Pin Pitch 4.0mm ----Double parallel tail											
PART NO.	VPxx85x8xxxxG						DWG NO.	8VP0120				
APPROVED	CHECKED	DESIGNED	DRAWN	CUST NO.								Tolerance
		Evan 03/17-15	Evan 03/17-15									X. ±0.50
						UNIT: mm						X.X ±0.30
				SHEET: 01/01		SCALE: NONE						X.XX ±0.10
						REV: B						X° ±1°