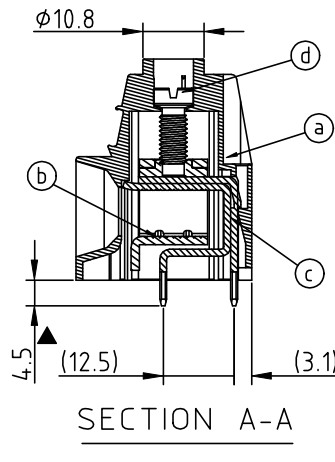
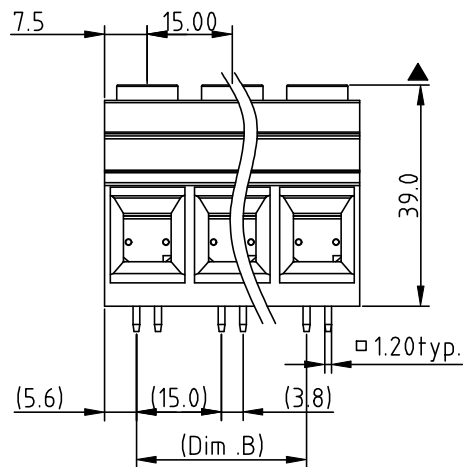
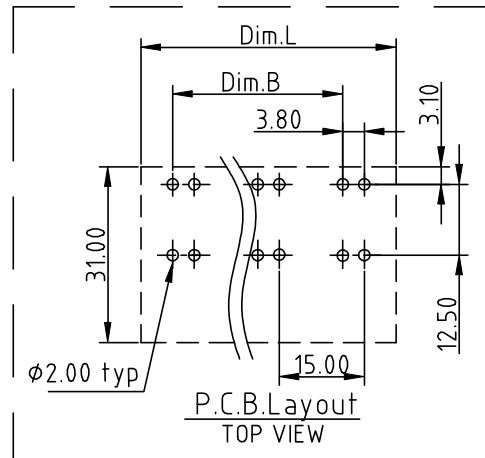
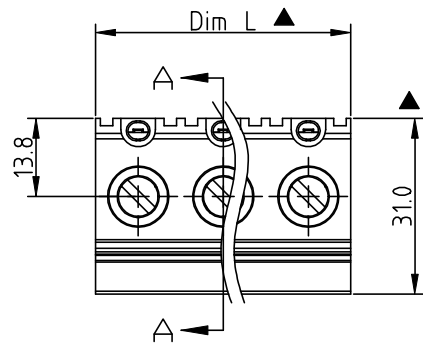


RoHS Compliant

Rev.	SIGN	DATE	DESCRIPTION	APPROVER
G	—	2022.03.29	ECN202203001	Guoxue
THIS IS CAD DRAWING, DO NOT REVISE MANUALLY!!!				



Material:

- Item ① Terminal housing :Thermoplastic (UL 94V-0)
- Item ② Clamp : Steel Stamping , Zinc plated
- Item ③ Wire guard solder pin : Copper , Tin plated
- Item ④ Terminal screw: Zinc plating"-slot type

Electrical cULus

- Voltage rating: 600V
- Current rating: 125A
- Wire range:
- Solid wire(AWG): 2-20
- Stranded wire(AWG): 2-20
- Torque(Lb-In): 36.5
- Screw: M5
- Wire strip length: 16-19mm
- Withstanding Voltage: 2.2KV
- Operating temperature: -40° C to +115° C
- Wave Soldering temperature: 260° C \pm 5° C/5 Sec
- Safety Approval: cULus
- Critical dimension: ▲
- Reference dimension: (x) The dimensions of pitch are just for reference, take the actual assembly result as a judgment when inserting the terminal block into the PCB hole.

El xx C 1 x 30 xxx G

POLES	COLOR	RoHS compliant (lead<4%) In copper Alloy
02 02 POLES	0 Black	000:"@ "Logo (Standard)
03 03 POLES	2 Red	00A:"ANYTEK"Logo
.....	3 Orange	Any special item by customer request, please contact sales department.
10 10 POLES	4 Yellow	
	5 Green (RAL6018/T)	
	6 Blue (RAL5015/A)	
	8 Grey (RAL7035/D)	
	9 White	
	C Green(RAL 6018/U)	

Dimension L&B

DIM L	N \times 15.0
DIM B	(N-1) \times 15.0

N=Number of Poles

Poles	Dim.L Tol.
2P-3P	± 0.30
4P-5P	± 0.50
6P-10P	± 0.80

Amphenol
ANYTEK

CUSTOMER COPY

ALL RIGHTS RESERVED. REPRODUCTION OR ISSUE TO THIRD PARTIES IN ANY FORM WHATSOEVER IS NOT PERMITTED WITHOUT WRITTEN AUTHORITY FROM THE PROPRIETOR. PROPERTY OF ANYTEK TECHNOLOGY CO., LTD

TITLE		El 15.0 Series (Double-handed)		
PART NO.	ElxxC1x30xxxG	DWG NO.	8EI0005	
APPROVED	CHECKED	DESIGNED	DRAWN	CUST NO.
		Guoxue 2022.03.29	Guoxue 2022.03.29	
				Tolerance
				X. ± 0.50
				X.X ± 0.30
				X.XX ± 0.10
				X* $\pm 1^*$
SHEET: 01/01		UNIT: mm SCALE: NONE REV.: G		