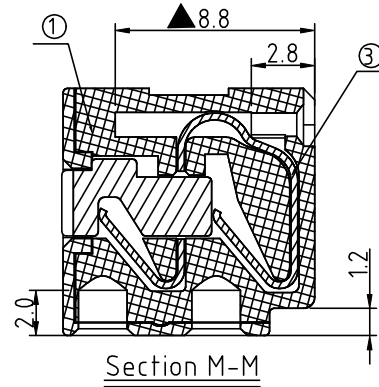
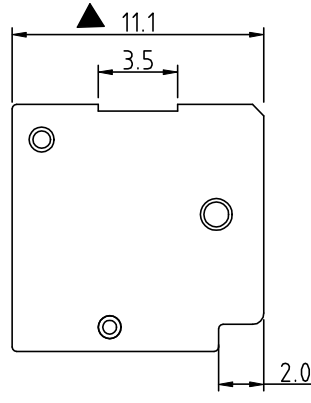
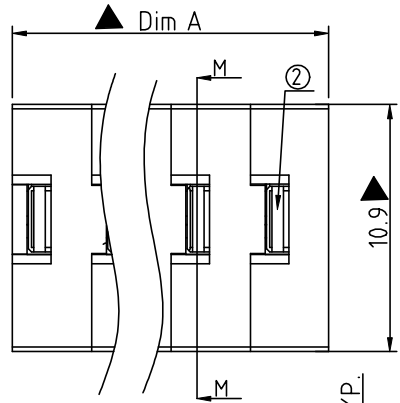


REV	SIGN	DATE	DESCRIPTION	APPROVER
C	△	11/10'14	change the wire range	Chen Bo
D	△	08/10'17	Add cULUS certification mark	Zhihua
THIS IS CAD DRAWING, DO NOT REVISE MANUALLY!!!				

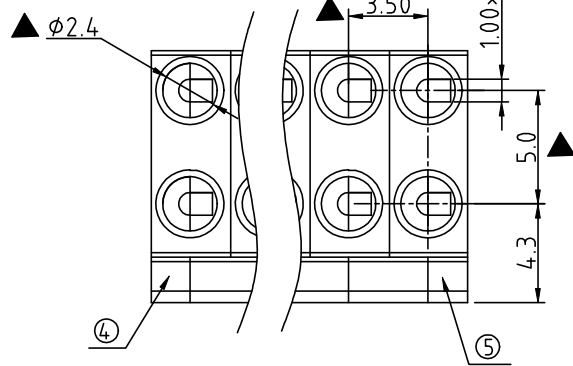


Material

- Item① Insulating body(middle): Thermoplastic (UL94V-0)
- Item② Insulating lever:Thermoplastic (UL94V-0) Orange(RAL2011/P)
- Item③ Spring clamp: Phosphor Bronze , Tin Plated
- Item④ Insulating cover:Thermoplastic (UL94V-0)
- Item⑤ Insulating body(side):Thermoplastic (UL94V-0)

Electrical

- cULus
- Voltage rating: 300V
 - Current rating: 2A
 - △ ● Wire range : 2×AWG 20-26 (Solid wire)
 - Wire strip length: 5-6mm
 - Withstanding Voltage: 1.6KV
 - Operating temperature: -40°C to +115°C
 - △ ● Safety Approval: cULus
 - Critical dimension: ▲



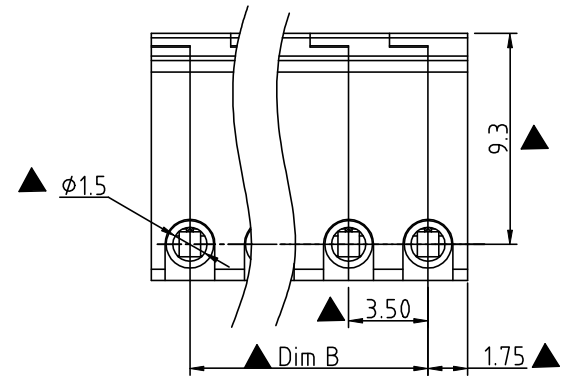
NU xx 0 0 x 0 xxxx G

NO. of poles	Pitch	Body Color	RoHS compliant (lead<4%) In copper Alloy
01 1 Poles	0 3.50	0 Black (RAL9005)	0000: "@" Logo (Standard)
02 2 Poles		2 Red (RAL3001/D)	000A: "ANYTEK" Mark
...		3 Orange(RAL2011/P)	Any special item by customer request.
24 24 Poles		4 Yellow(RAL1018/A)	please contact sales department.
		5 Green(RAL6018/T)	
		6 Blue (RAL5015/A)	
		8 Grey(RAL7004/P)	
		9 White(RAL1102)	
		C Multiple colors	

N=Number of poles
Dimension A&B

DIM A	N×3.50
DIM B	(N-1)×3.50

Poles	Tolerance
1p-5p	+0.15/-0.15
6p-10p	+0.25/-0.25
11p-15p	+0.35/-0.35
16p-24p	+0.40/-0.40



Amphenol ANYTEK		CUSTOMER COPY			
ALL RIGHTS RESERVED. REPRODUCTION OR ISSUE TO THIRD PARTIES IN ANY FORM WHATSOEVER IS NOT PERMITTED WITHOUT WRITTEN AUTHORITY FROM THE PROPRIETOR. PROPERTY OF ANYTEK TECHNOLOGY CO., LTD					
TITLE		NU 3.5mm series			
PART NO.	NUxx00x0xxxxG	DWG NO.	8NU0001		
APPROVED	CHECKED	DESIGNED	DRAWN	CUST NO.	Tolerance
		Chen Bo	Chen Bo		X. ±0.50
		11/10'14	07/12'14		X.X ±0.30
					X.XX ±0.10
					X° ±1°
				SHEET: 01/01	REV.: D