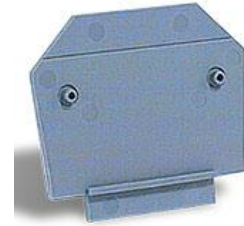


# End Plate

Part number: **10134259-001LF**



End plate for Screw Terminal Blocks - 2.5 to 4.0mm<sup>2</sup>

### GENERAL DATA

Item	<b>10134259</b>
Weight/Piece	<b>2.4 g</b>
Colour	<b>Grey</b>
Q.ty p.pck.	<b>100</b>

### TECHNICAL DATA / DIMENSIONS

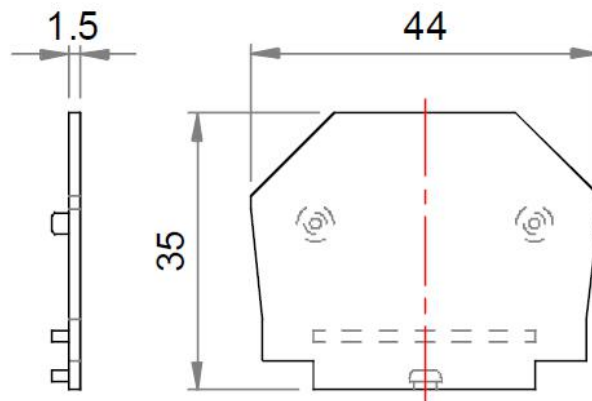
#### Dimensions

Width mm	1.5
Length mm	44
Height mm	35

#### Technical data

Insulating material	PA 66 – V2
---------------------	------------

### TECHNICAL DRAWINGS



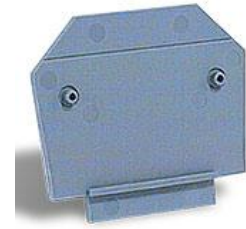
### ACCESSORIES

#### Additional items

Item	Description
<b>10134250 (all colors)</b>	Screw Terminal Block 2.5
<b>10134251 (all colors)</b>	Screw Terminal Block 4

## End Plate

Part number: **10134260-001LF**



End plate for Screw Terminal Blocks - 6.0 to 10.0mm<sup>2</sup>

### GENERAL DATA

Item	<b>10134260</b>
Weight/Piece	<b>3.2 g</b>
Colour	<b>Grey</b>
Q.ty p.pck.	<b>100</b>

### TECHNICAL DATA / DIMENSIONS

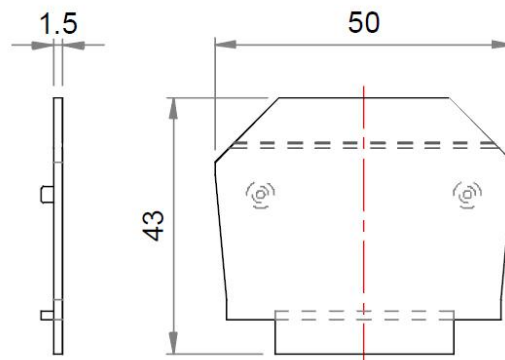
#### Dimensions

Width mm	1.5
Length mm	50
Height mm	43

#### Technical data

Insulating material	PA 66 – V2
---------------------	------------

### TECHNICAL DRAWINGS



### ACCESSORIES

#### Additional items

Item	Description
<b>10134253 (all colors)</b>	Screw Terminal Block 6
<b>10134254 (all colors)</b>	Screw Terminal Block 10

## End Plate

Part number: **10134261-001LF**



End plate for Screw Terminal Blocks - 16.0 to 25.0mm<sup>2</sup>

### GENERAL DATA

Item	<b>10134261</b>
Weight/Piece	<b>4 g</b>
Colour	<b>Grey</b>
Q.ty p.pck.	<b>50</b>

### TECHNICAL DATA / DIMENSIONS

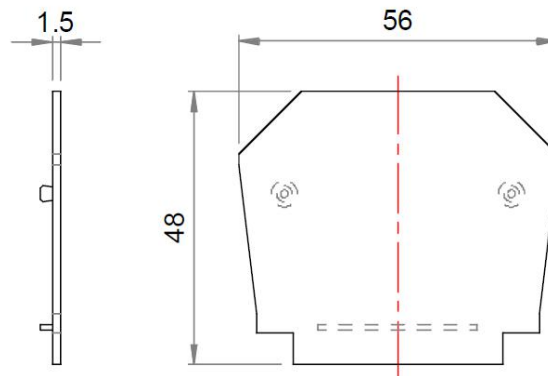
#### Dimensions

Width mm	1.5
Length mm	56
Height mm	48

#### Technical data

Insulating material	PA 66 – V2
---------------------	------------

### TECHNICAL DRAWINGS



### ACCESSORIES

#### Additional items

Item	Description
<b>10134255 (all colors)</b>	Screw Terminal Block 16-25

# End Plate

Part number: **10134262-001LF**



End plate for Screw Terminal Blocks - 35.0 to 50.0mm<sup>2</sup>

### GENERAL DATA

Item	<b>10134262</b>
Weight/Piece	<b>5.6 g</b>
Colour	<b>Grey</b>
Q.ty p.pck.	<b>50</b>

### TECHNICAL DATA / DIMENSIONS

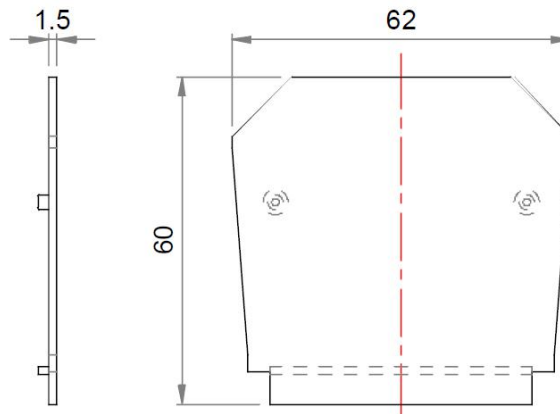
#### Dimensions

Width mm	1.5
Length mm	62
Height mm	60

#### Technical data

Insulating material	PA 66 – V2
---------------------	------------

### TECHNICAL DRAWINGS



### ACCESSORIES

#### Additional items

Item	Description
<b>10134256 (all colors)</b>	Screw Terminal Block 35-50