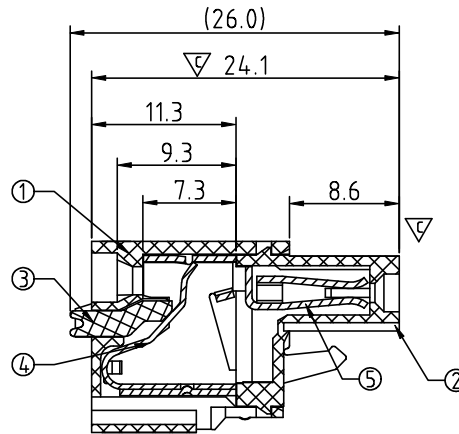
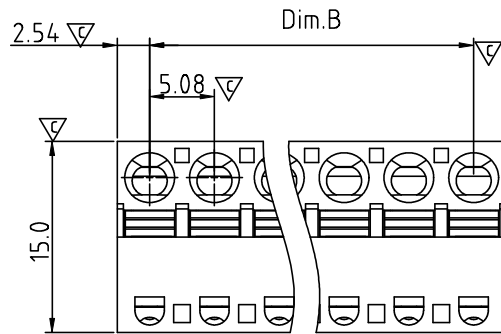


2P mark



SIGN	DATE	DESCRIPTION	APPROVER
△	02/08'07	Part No. is changed.	Aaron
△	06/10'09	The wire strip length changed from 6~7mm to 7~8mm.	Kind
△	06/10'09	The Operating tem. changed from -30°C~105°C to -40°C~115°C	Kind
△	06/10'09	Add the toleration table.	Kind
△	11/21'09	The normal grey No. changed from RAL7004/P to RAL7035/D.	Kind
△	03/13'10	Add the 2P mark and Wire strip length is changed	RUNNER
△	08/13'13	Add the colour code & update the drawing	Da cheng

THIS IS CAD DRAWING, DO NOT REVISE MANUALLY!!!

Material

- Item 1 Terminal body:Thermoplastic (UL94V-0)
- Item 2 Terminal body:Thermoplastic (UL94V-0)
- △● Item 3 Terminal lever:Thermoplastic (UL94V-0) Orange(RAL2011/P)
- Item 4 Wire guard:Stainless Steel
- △● Item 5 Female contact :PhBz (CuSn) Bright Tin plated over Nickel plated.

Electrical cULus

- Voltage rating: 300V
- Current rating: 10A
- Solid wire(AWG):12-26
- Stranded wire(AWG):12-26
- △△● Wire strip length:8-9mm
- Withstanding Voltage:1.6KV
- △● Operating temperature:-40°C to +115°C
- Safety Approval: cULus
- Critical dimension:

HW xx 50 x 0 xxxx G △ △ RoHS compliant (lead<4%) In copper Alloy

Poles	△ Body Color	△ △ RoHS compliant (lead<4%) In copper Alloy
02 2 CONTACTS	0 Black (RAL9005)	0000 Standard @ Logo
03 3 CONTACTS	2 Red (RAL3001/D)	000A Standard ANY Logo
... ..	3 Orange(RAL2011/P)	Any special item by customer request, please contact sales department.
24 24 CONTACTS	4 Yellow(RAL1018/A)	
	5 Green(RAL6018/T)	
	6 Blue (RAL5015/A)	
	△8 Grey(RAL7035/D)	
	9 White(RAL1102)	
	C Green(RAL6018/U)	

POLE		2	3	4	5	6	7	8	9	10	11	12
A		10.16	15.24	20.32	25.40	30.48	35.56	40.64	45.72	50.80	55.88	60.96
B		5.08	10.16	15.24	20.32	25.40	30.48	35.56	40.64	45.72	50.80	55.88
Tol.		±0.15					±0.25					
POLE	13	14	15	16	17	18	19	20	21	22	23	24
A	66.04	71.12	76.20	81.28	86.36	91.44	96.52	101.60	106.68	111.76	116.84	121.92
B	60.96	66.04	71.12	76.20	81.28	86.36	91.44	96.52	101.60	106.68	111.76	116.84
Tol.		±0.30					±0.40					

ANYTEK				CUSTOMER COPY			
ALL RIGHTS RESERVED. REPRODUCTION OR ISSUE TO THIRD PARTIES IN ANY FORM WHATSOEVER IS NOT PERMITTED WITHOUT WRITTEN AUTHORITY FROM THE PROPRIETOR. PROPERTY OF ANYTEK TECHNOLOGY CO., LTD							
TITLE	HW-5.08 Series Contact on down side						
PART NO.	HWxx50x0xxxxG			DWG NO.	8HW0001		
APPROVED	CHECKED	DESIGNED	DRAWN	CUST NO.	Tolerance		
		Airy min 2015.05.04	Airy min 2015.05.04		UNIT: mm	X.	±0.50
					SCALE: NONE	X.X	±0.30
					REV.: G	X.XX	±0.10
				SHEET: 01/01		X°	±1°