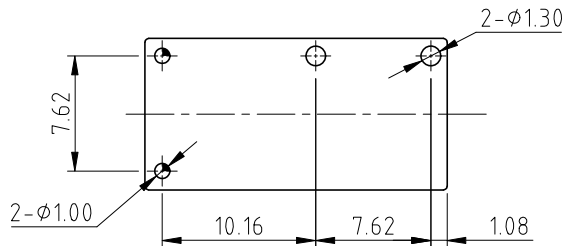
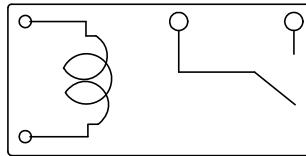
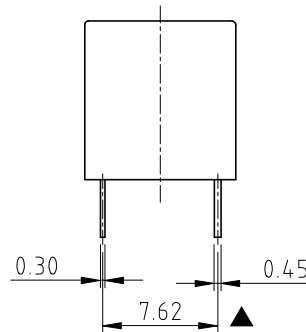
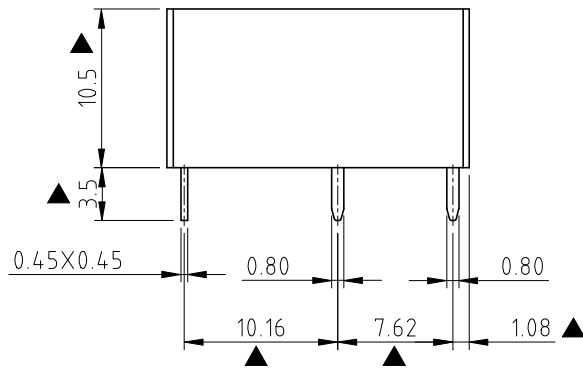
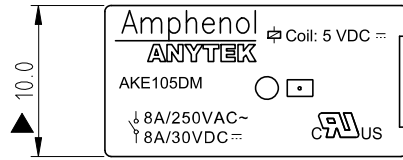


RoHS Compliant

REV	SIGN	DATE	DESCRIPTION	APPROVER
A0		2021.03.08	Initial Release	LENA
<i>THIS IS CAD DRAWING, DO NOT REVISE MANUALLY!!!</i>				



P.C.B. LAYOUT  
Bottom View

Part No. AKE 1 05 D M 00G

- Contact Form  
M : One Form A
- Coil Type  
D : Standard DC Coil
- Coil Voltage:  
05: 5V(VDC)
- Number of pole,  
1: One Pole
- TYPE : AKE

**COIL SPECIFICATION**

- Coil Nominal Voltage: 5V DC
- Coil Nominal Current: 40mA
- Coil Resistance: 125Ω ±10%
- Coil Power Consumption: Abt. 0.2W
- Pull-In Voltage(VDC): 3.75V Max
- Drop-Out Voltage(VDC): 0.25V Min
- Maximum Allowable Voltage: 6.5V
- Operate Time: 8 mSec. Max.
- Release Time: 6 mSec. Max.

**CONTACT RATING**

- Rated Load(Resistive): 8A 250V AC / 8A 30V DC
- Max. Allowable Voltage: AC 440V / DC 30V
- Max. Allowable Current: 8A
- Max. Allowable Power Force: 2000VA 240W
- Contact Material: Ag Alloy
- Contact Form: SPST

**ELECTRICAL**

- Dielectric Strength:
  - Between Coil & Contact: 4,000V AC (50/60 Hz for 1 minute)
  - Between Contact: 1,000V AC (50/60 Hz for 1 minute)
- Contact Resistance: 100mΩ Max. at 1A, 6V DC
- Insulation Resistance: 100MΩ Min at 500V DC

**MECHANICAL**

- Life Expectancy(Operations):
  - Electrical: 1 x 10<sup>5</sup> operations at Rated Resistive load
  - Mechanical: 1 x 10<sup>7</sup> operations at No Resistive load
- Operating Temperature: -40°C ~ 85°C
- Safety Approval: UL

**Amphenol**  
**ANYTEK**

**CUSTOMER COPY**

ALL RIGHTS RESERVED. REPRODUCTION OR ISSUE TO THIRD PARTIES IN ANY FORM WHATSOEVER IS NOT PERMITTED WITHOUT WRITTEN AUTHORITY FROM THE PROPRIETOR. PROPERTY OF ANYTEK TECHNOLOGY CO., LTD

TITLE		AKE Series Relay, 5V DC			DWG NO.		8AKE0006	
PART NO.		AKE105DM00G			CUST NO.			
APPROVED	CHECKED	DESIGNED	DRAWN	Tolerance				
		LENA	LENA	X. ±0.50				
		2021.03.08	2021.03.08	X.X ±0.30				
				UNIT: mm		X.XX ±0.10		
				SCALE: 2:1		X° ±1°		
SHEET: 01/01				REV: A0				