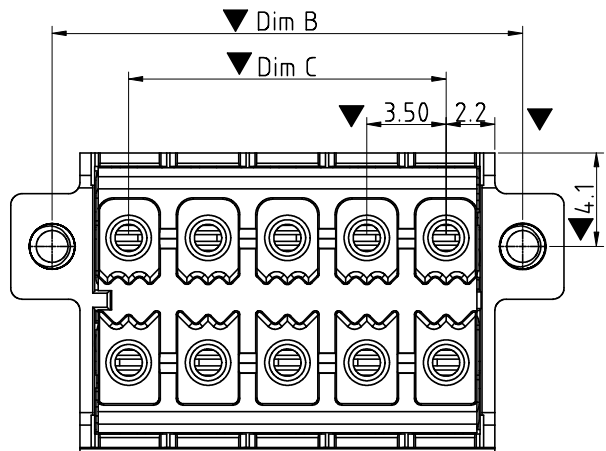
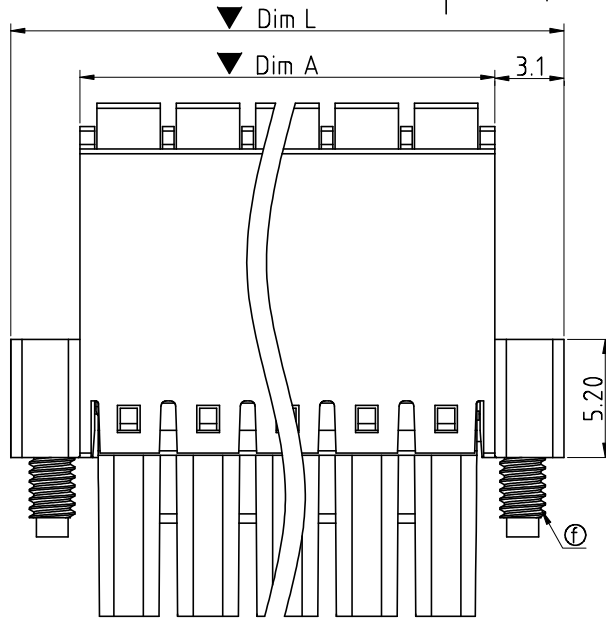
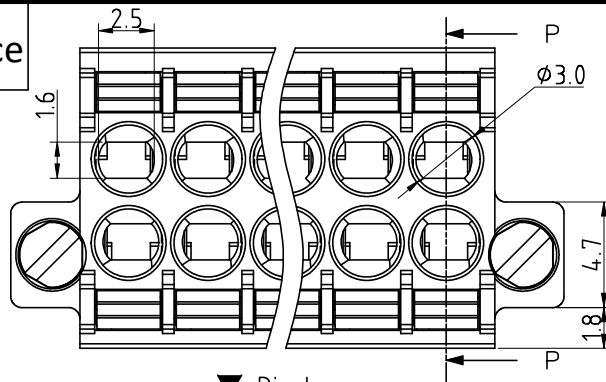


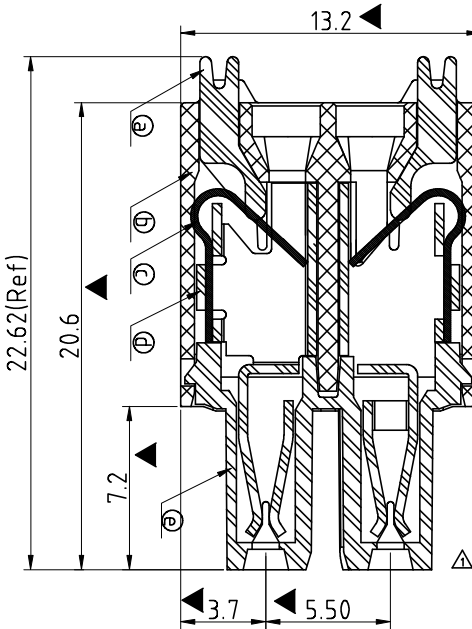
RoHS Compliance



$$\begin{aligned} \text{Dim L} &= (N/2 - 1) \times 3.5 + 10.5 \\ \text{Dim A} &= (N/2 - 1) \times 3.5 + 4.3 \\ \text{Dim B} &= (N/2 - 1) \times 3.5 + 6.75 \\ \text{Dim C} &= (N/2 - 1) \times 3.5 \end{aligned}$$

N=Number of poles

POLES	Tol	Dim.	Dim. L/B	Dim. A/C
2x2p-2x6p			±0.15	±0.15
2x7p-2x12p			±0.25	±0.25
2x13p-2x16p			±0.30	±0.30
2x17p-2x24p			±0.40	±0.40



Rev.	SIGN	DATE	DESCRIPTION	APPROVER
B		03/05'15	Initial release	Airy min
C	△	10/11'22	Lever changed material from PBT to POM	Johnson

THIS IS CAD DRAWING, DO NOT REVISE MANUALLY!!!

- Electrical: cULus
- Voltage rating: 300 V
 - Current rating: 5.5 A
 - Wire range:
 - Solid wire(AWG): 16-24
 - Stranded wire(AWG): 16-24
 - Wire strip length: 9-10 mm
 - Withstanding Voltage: 1.6KV
 - Operating temperature: -40°C to +115°C
 - Safety Approval: cULus
 - Critical dimension: ▼

NL xx 1 0 x 1 xxGx G RoHS compliant (lead<4%) In copper Alloy

No. OF POLES
 04: 2x2 POLES
 06: 2x3 POLES
 48: 2x24 POLES

Body color
 0 Black (RAL9005)
 2 Red (RAL3001/D)
 3 Orange(RAL2011/P)
 4 Yellow(RAL1018/A)
 5 Green(RAL6018/T)
 6 Blue (RAL5015/A)
 8 Grey(RAL7035/D)
 9 White(RAL1102)
 C Green (RAL 6018/U)

00G0: "@ " Logo (Standard)
 00GA: "ANYTEK" Mark
 Any special item by customer request. please contact sales department.

- Material:
- Item ① Terminal lever: POM (UL94 HB) Orange (RAL2011/P) halogen free
 - Item ② Terminal top housing: Thermoplastic (UL94V-0) halogen free
 - Item ③ Spring clamp : Stainless steel
 - Item ④ Female contact : PhBz Tin Plated
 - Item ⑤ Terminal down housing: Thermoplastic (UL94V-0) halogen free
 - Item ⑥ With flange screw: M2.0 Steel, Zinc plated.

Amphenol ANYTEK				CUSTOMER COPY	
ALL RIGHTS RESERVED. REPRODUCTION OR ISSUE TO THIRD PARTIES IN ANY FORM WHATSOEVER IS NOT PERMITTED WITHOUT WRITTEN AUTHORITY FROM THE PROPRIETOR. PROPERTY OF ANYTEK TECHNOLOGY CO., LTD					
TITLE		NL 3.5mm With flange Series			
PART NO.	NLxx10x1xxxxG	DWG NO.	BNL0001		
APPROVED	CHECKED	DESIGNED	DRAWN	CUST NO.	Tolerance
		Johnson 2022.10.11	Johnson 2022.10.11		X. ±0.50 X.X ±0.30 X.XX ±0.10 X° ±1°
				SHEET: 01/01	REV: C