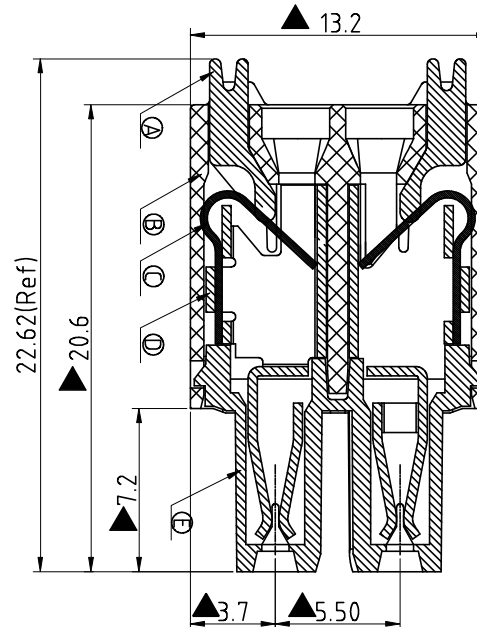
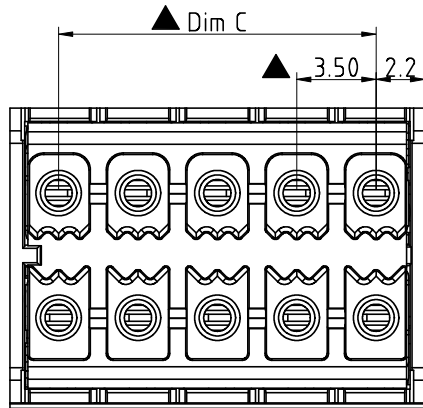
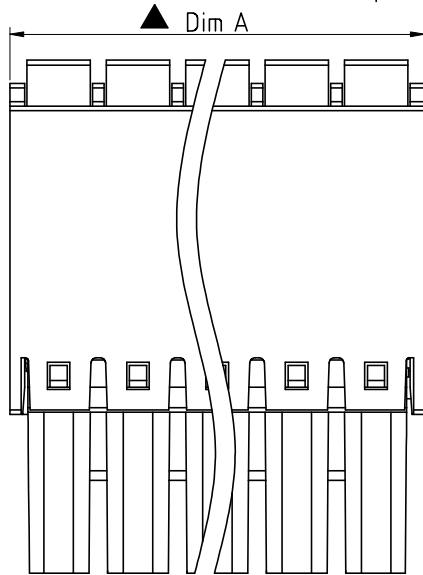
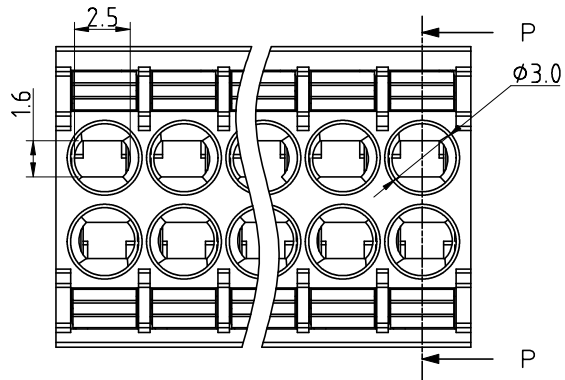


RoHS Compliance



SECTION P-P

$$\text{Dim A} = (N/2 - 1) \times 3.5 + 4.3$$

$$\text{Dim C} = (N/2 - 1) \times 3.5$$

N=Number of poles

POLES	Tot Dim.	Dim. A/C
2x2p-2x6p		±0.15
2x7p-2x12p		±0.25
2x13p-2x16p		±0.30
2x17p-2x24p		±0.40

REV.	SIGN	DATE	DESCRIPTION	APPROVER
B	/	12/18'14	Initial release	Airy min
C	△	08/11'15	Update the drawing	Airy min
D	△	10/11'22	Lever changed material from PBT to POM	Johnson

THIS IS CAD DRAWING, DO NOT REVISE MANUALLY!!!

Material:

- △ ● Item Ⓐ Lever: POM (UL94 HB) Orange (RAL2011/P) halogen free
- Item Ⓑ Top housing: Thermoplastic (UL94V-0) halogen free
- Item Ⓒ Spring clamp : Stainless steel
- Item Ⓓ Female contact : PhBz Matte Tin plated over Nickel plated
- Item Ⓔ Down housing: Thermoplastic (UL94V-0) halogen free

Electrical: cULus

- Voltage rating: 300 V
- Current rating: 5.5 A
- Wire range:
- Solid wire(AWG): 16-24
- Stranded wire(AWG): 16-24
- Wire strip length: 9-10 mm
- Withstanding Voltage: 1.6 KV △
- Operating temperature: -40°C to +115°C
- Safety Approval: cULus
- Critical dimension: ▲

NL xx 10 x 2 xxxxG

No. OF POLES

- 04: 2x2 POLES
- 06: 2x3 POLES
- ...
- 48: 2x24 POLES

Body color

- 0 Black (RAL9005)
- 2 Red (RAL3001/D)
- 3 Orange(RAL2011/P)
- 4 Yellow(RAL1018/A)
- 5 Green(RAL6018/T)
- 6 Blue (RAL5015/A)
- 8 Grey(RAL7035/D)
- 9 White(RAL1102)
- C Green (RAL 6018/U)

RoHS compliant
(lead<4%)
In copper Alloy

- △ 00G0: "@" Logo (Standard)
- 00GA: "ANYTEK" Mark
- Any special item by customer request.
- please contact sales department.

Amphenol
ANYTEK

INSPECTION COPY

ALL RIGHTS RESERVED. REPRODUCTION OR ISSUE TO THIRDO PARTIES IN ANY FORM WHATSOEVER IS NOT PERMITTED WITHOUT WRITTEN AUTHORITY FROM THE PROPRIETOR. PROPERTY OF ANYTEK TECHNOLOGY CO., LTD

TITLE		NL 3.5mm W/o Flange Series			
PART NO.	NLxx10x2xxxxG △			DWG NO.	BNL0002
APPROVED	CHECKED	DESIGNED	DRAWN	CUST NO.	
		Johnson 2022.10.11	Johnson 2022.10.11	UNIT: MM SCALE: NONE SHEET: 01/01 REV.: D	
				Tolerance	
				X.	±0.50
				X.X	±0.30
				X.XX	±0.10
				X°	±1°