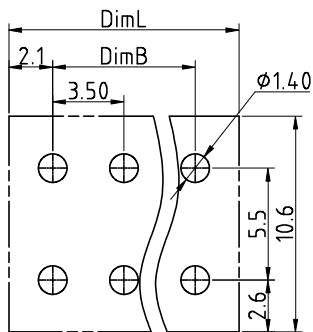


SECTION P-P



P.C.B Layout
Top view

$$\begin{aligned} \text{DimL} &= (N/2-1) \times 3.5 + 4.30 \\ \text{DimB} &= (N/2-1) \times 3.5 \\ \text{DimC} &= (N/2-1) \times 3.5 \end{aligned}$$

N=Number of poles

POLES	Dim. Tol.	Dim.L/B/C
2x2p-2x6p		±0.15
2x7p-2x12p		±0.25
2x13p-2x18p		±0.30
2x19p-2x24p		±0.35

SIGN	DATE	DESCRIPTION	APPROVER
△	2014/12/18	Update drawing	
△			
△			

THIS IS CAD DRAWING, DO NOT REVISE MANUALLY!!!

Material:

- Item ① Terminal housing: LCP (UL94V-0) Halogen free
- Item ② Male contact pin: Copper, Matte Tin plated

Electrical: cULus

- Voltage rating: 300V
- Current rating: 5.5A
- Withstanding Voltage: 1.6KV
- Operating temperature: -40°C to +130°C △
- Reflow Soldering temperature: 260°C/10 Sec max.
- Safety Approval:
- Critical dimension:

NR xx 1 1 x 0 xxxx G

No. OF POLES
04: 2x2 POLES
06: 2x3 POLES
:
48: 2x24 POLES

COLOR
0: BLACK

RoHS compliant
(lead<4%)
In copper Alloy
00G0: "@" Logo (Standard)
00GA: "ANYTEK" Mark
Any special item by
customer request.
please contact sales
department.

ANYTEK				CUSTOMER COPY			
ALL RIGHTS RESERVED. REPRODUCTION OR ISSUE TO THIRD PARTIES IN ANY FORM WHATSOEVER IS NOT PERMITTED WITHOUT WRITTEN AUTHORITY FROM THE PROPRIETOR. PROPERTY OF ANYTEK TECHNOLOGY CO., LTD							
TITLE		NR 3.5mm series close vertical (THR type)					
PART NO.		NRxx11x0xxxxG		DWG NO.		8NR0004	
APPROVED		CHECKED		DESIGNED		DRAWN	
				Airy min 2014.12.18		Airy min 2014.12.18	
				CUST NO.		Tolerance	
						X. ±0.50	
				UNIT: mm		X.X ±0.30	
				SCALE: NONE		X.XX ±0.10	
				SHEET: 01/01		X° ±1°	
				REV.: B			