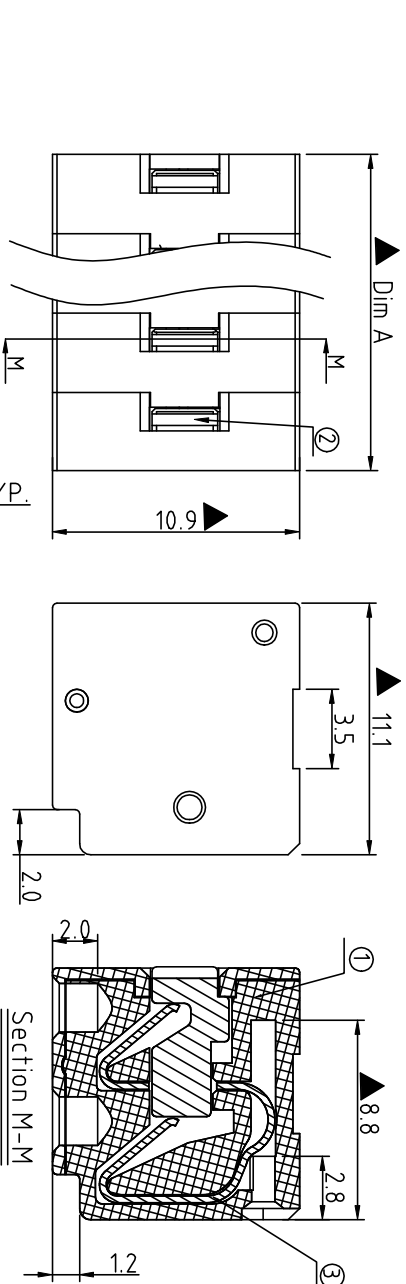


REV	SIGN	DATE	DESCRIPTION	APPROVER
C	△	11/10'14	change the wire range	Chen Bo
D	△	08/10'17	Add cULUS certification mark	Zhihua
THIS IS CAD DRAWING, DO NOT REVISE MANUALLY!!!				

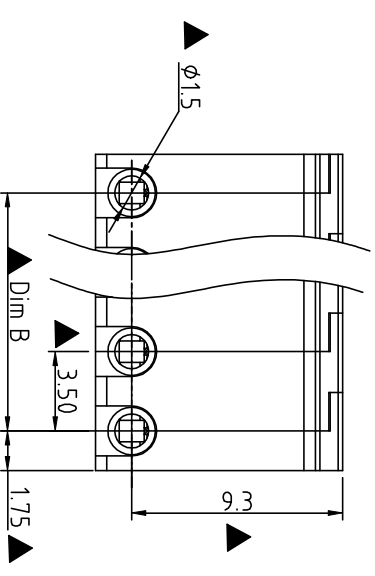
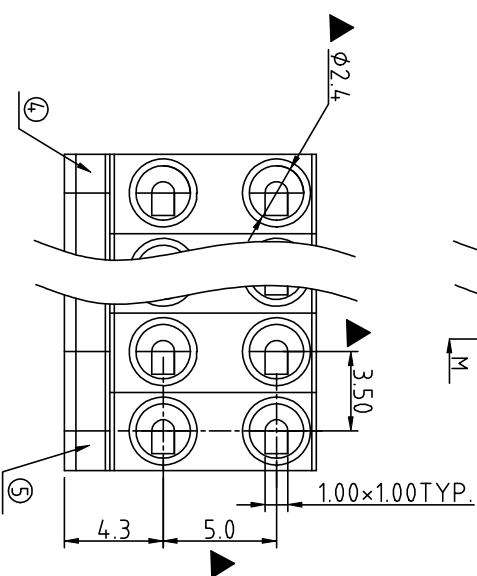


Material

- Item ① Insulating body(middle): Thermoplastic (UL94V-0)
- Item ② Insulating lever: Thermoplastic (UL94V-0) Orange(RAL2011/P)
- Item ③ Spring clamp: Phosphor Bronze , Tin Plated
- Item ④ Insulating cover: Thermoplastic (UL94V-0)
- Item ⑤ Insulating body(side): Thermoplastic (UL94V-0)

Electrical

- Voltage rating: cULUS 300V
- Current rating: 2A
- Wire range : 2xAWG 20-26 (Solid wire)
- Wire strip length: 5-6mm
- Withstanding Voltage: 1.6KV
- Operating temperature: -40°C to +115°C
- Safety Approval: ULus
- Critical dimension:



N=Number of poles
Dimension A&B

DIM A	Nx3.50
DIM B	(N-1)x3.50

Poles	Tolerance
1p-5p	+0.15/-0.15
6p-10p	+0.25/-0.25
11p-15p	+0.35/-0.35
16p-24p	+0.40/-0.40

NU xx 0 0 X 0 xxxx G

NO. of poles → 01 1 Poles
02 2 Poles
...
24 24 Poles

Pitch → 0 3.50

Body Color
0 Black (RAL9005)
2 Red (RAL3001/D)
3 Orange(RAL2011/P)
4 Yellow(RAL1018/A)
5 Green(RAL6018/T)
6 Blue (RAL5015/A)
8 Grey(RAL7004/P)
9 White(RAL1102)
C Multiple colors

→ RoHS compliant (lead<4%)
In copper Alloy

→ 0000: "@" Logo (Standard)
000A: "ANYTEK" Mark
Any special item by customer request.
please contact sales department.

Amphenol
ANYTEK

CUSTOMER COPY

ALL RIGHTS RESERVED. REPRODUCTION OR ISSUE TO THIRD PARTIES IN ANY FORM WHATSOEVER IS NOT PERMITTED WITHOUT WRITTEN AUTHORITY FROM THE PROPRIETOR. PROPERTY OF ANYTEK TECHNOLOGY CO., LTD.

TITLE		DWG NO.		Tolerance	
NU 3.5mm series		8NU0001		X	±0.50
PART NO.	NUxx00x0xxxxG	CUST. NO.		X X	±0.30
CHECKED	DESIGNED	DRAWN		X X X	±0.10
11/10'14	Chen Bo	07/12'14		X°	±1°
SHEET: 01/01		REV: D			