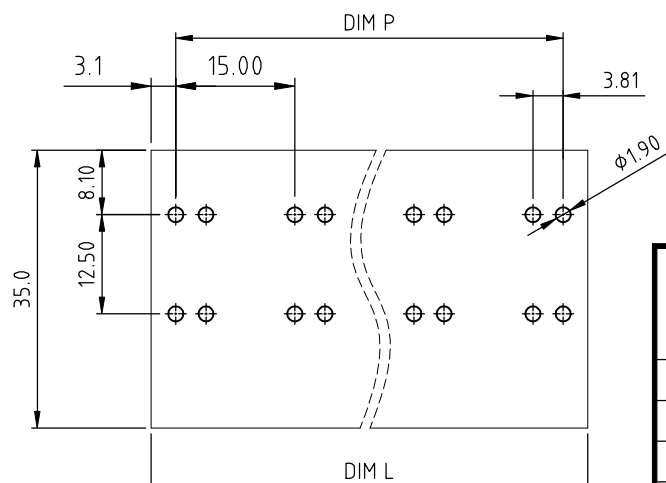
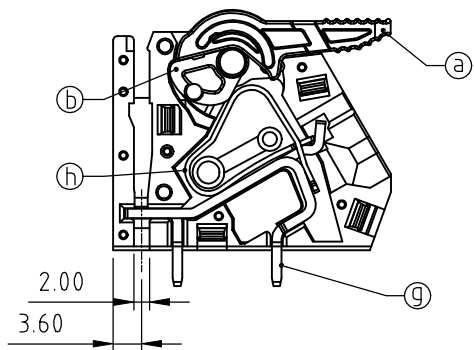
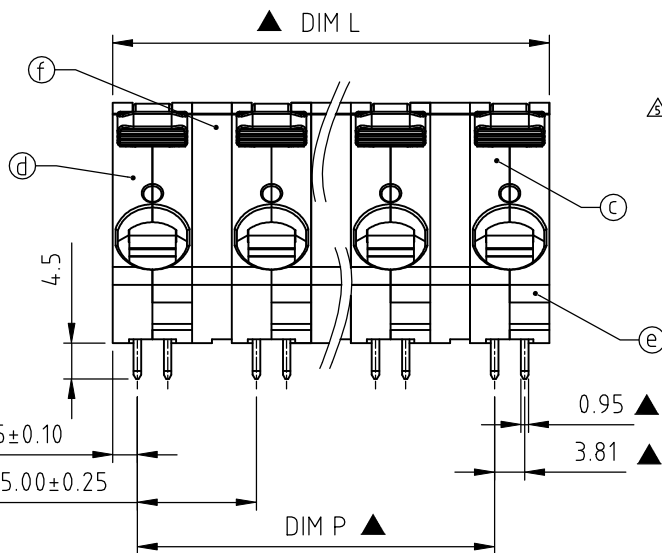
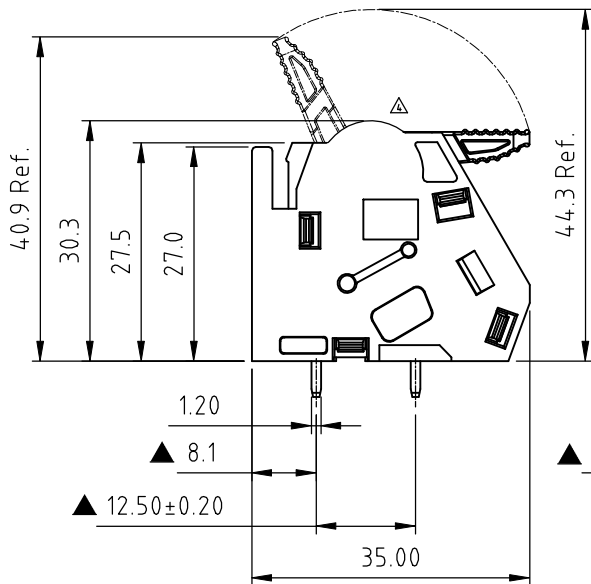


RoHS Compliant

N=NUMBER OF CONTACTS

DIM		TOL		
		2P	3P-4P	5P-8P
Dim L	N×15.0-5.0	±0.50	±0.50	±0.60
Dim P	(N-1)×15.0	±0.25	±0.50	±0.60



RECOMMENDED PCB LAYOUT

REV	SIGN	DATE	DESCRIPTION	APPROVER
D	△	2019.09.27	Modify the Struction	LENA
E	△	2021.11.01	Add TUV certification	Rhine

THIS IS CAD DRAWING, DO NOT REVISE MANUALLY!!!

Material:

- Item (a) Lever: Thermoplastic (UL 94V-0),
 - Item (b) Cam: Thermoplastic (UL 94V-0),
 - Item (c) Middle Body: Thermoplastic (UL 94V-0),
 - Item (d) Left side body: Thermoplastic (UL 94V-0),
 - Item (e) Right side body: Thermoplastic (UL94V-0),
 - Item (f) Base board: Thermoplastic (UL 94V-0)
 - Item (g) Contact: Copper,Matte Tin plated over Nickel plated,
 - Item (h) Spring clamp: Stainless steel
- △ Electrical: cULus TUV(EN/IEC 60947-7-4)
- Voltage rating: 600 V 800V (III/3) 1000V(III/2) 1000V(II/2)
 - Current rating: 65A 76A
 - Wire range(AWG): 16-6 (Solid & Stranded)
 - Wire range: 0.75mm²-10mm²(Flexible) 0.75mm²-16mm²(Solid & Rigid stranded)
 - Wire strip length: 12-13 mm
 - Withstanding Voltage: 2.2KV 4.2KV
 - Rated impulse Withstanding Voltage: 8KV
 - Operating temperature: -40°C to +115°C
 - Soldering temperature: 260°C±5°C/5 Sec
 - Safety Approval:
 - Critical dimension: ▲
 - Part No.:

NZ XX 1 0 X A XXXX G

- | | | |
|--------------|---------------------|---|
| No. OF POLES | Body Color | RoHS compliant (lead<4%)
In copper Alloy |
| △ 01 1Poles | 0 Black (RAL9005) | 0000: "@" Logo (Standard) |
| " " " " " " | 2 Red (RAL3001/D) | 000A: "ANYTEK" Mark |
| 08 8 Poles | 3 Orange(RAL2011/P) | |
| | 4 Yellow(RAL1018/A) | |
| | 5 Green(RAL6018/T) | |
| | 6 Blue (RAL5015/A) | |
| | 8 Grey(RAL7004/P) | |
| | 9 White(RAL1102) | |
| | C Multiple colors | |

Amphenol
ANYTEK

CUSTOMER COPY

ALL RIGHTS RESERVED. REPRODUCTION OR ISSUE TO THIRD PARTIES IN ANY FORM WHATSOEVER IS NOT PERMITTED WITHOUT WRITTEN AUTHORITY FROM THE PROPRIETOR. PROPERTY OF ANYTEK TECHNOLOGY CO., LTD

TITLE	NZ 15.0mm Pitch, with Jumper Slot Series (1P-8P)			
PART NO.	NZ XX10XAXXXXG		DWG NO.	8NZ0003
APPROVED	CHECKED	DESIGNED	DRAWN	CUST NO.
		Rhine 2021.11.02	Rhine 2021.11.02	
SHEET: 01/01				Tolerance
UNIT: mm				X. ±0.50
SCALE: 1:1				X.X ±0.30
REV.: E				X.XX ±0.10
				X* ±1°