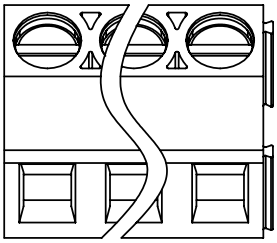


SIGN	DATE	DESCRIPTION	APPROVER
△	2/10 06	Part NO is Changed	xionghaifao
△	01/12 07	Soldering temperature changed from 245° to 250°	Tason
THIS IS CAD DRAWING, DO NOT REVISE MANUALLY!!!			



Dimension A&B

DIM A	N×5.08
DIM B	(N-1)×5.08

N=Number of contacts

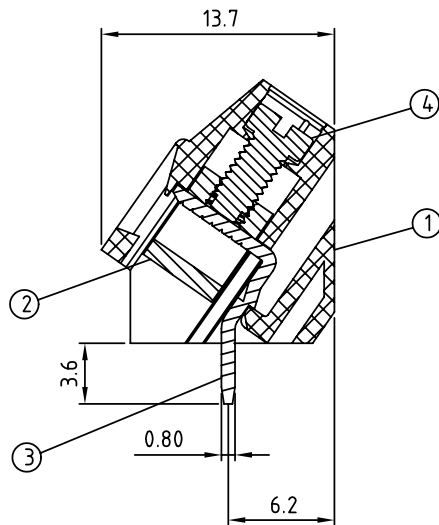
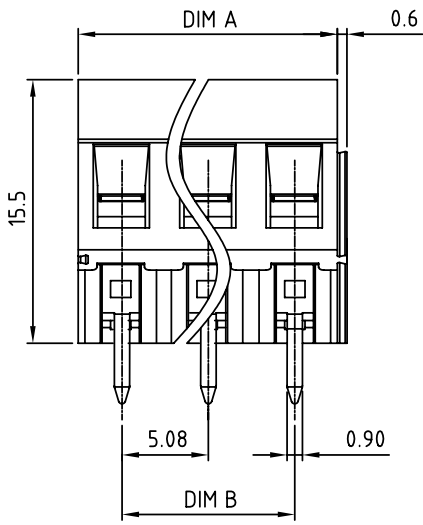
Poles	A&B Tolerance
2P-8P	±0.15
9P-14P	±0.25
15P-20P	±0.35
21P-24P	±0.40

Material:

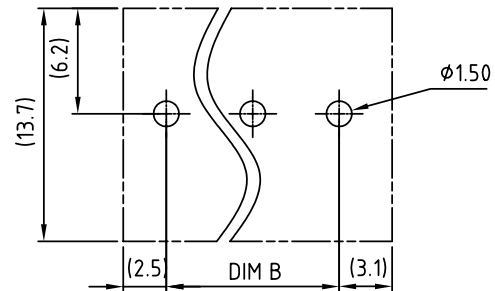
- Item 1 Terminal housing :Thermoplastic (UL 94V-0)
- Item 2 Clamp : Brass , Ni plated
- Item 3 Wire guard solder pin : Brass , Tin plated
- Item 4 Terminal screw: Steel Zinc plating"-slot type

Electrical UL

- Voltage rating: 300VAC
- Current rating: 10A
- Wire range:
- Solid wire(AWG): 12-24
- Stranded wire(AWG): 12-24
- Torque(Lb-In): 3.5
- Screw: M2.5
- Wire strip length: 6-7mm
- Withstanding Voltage: 1.6KV
- Operating temperature: -40°C to +115°C
- Soldering temperature: 250°C±10°C/5 Sec
- Safety Approval Deta:



N=Number of contacts



P.C.B. LAYOUT

△ T2 xx 2 1 x 1 xxxx G

02	2 CONTACTS	0	Black	0000:"@Logo (Standard)	RoHS
03	3 CONTACTS	5	Green	000A:"ANYTEK"Logo	Pb<40,000ppm
...	...		(RAL 6018/T)	Any special item by	
24	24 CONTACTS	6	Blue	customer request,	
		8	Grey	please contact sales	
			(RAL 7035/D)	department.	

ANYTEK

CUSTOMER COPY

ALL RIGHTS RESERVED. REPRODUCTION OR ISSUE TO THIRD PARTIES IN ANY FORM WHATSOEVER IS NOT PERMITTED WITHOUT WRITTEN AUTHORITY FROM THE PROPRIETOR. PROPERTY OF ANYTEK TECHNOLOGY CO., LTD

TITLE		T2 5.08 SERIES (2P-24P) Solid block			
PART NO.		T2xx21x1xxxxG △		DWG NO.	8T20201
APPROVED	CHECKED	DESIGNED	DRAWN	CUST NO.	
		熊海燕	熊海燕		
		2007.01.12	2007.01.12		
				SHEET: 01/01	Tolerance
					UNIT: mm
				SCALE: NONE	X.X ±0.30
				REV.: D	X.XX ±0.10
					X° ±1°