

Dim A = N × 3.81
 Dim B = (N - 1) × 3.81

N = 1/2 Number of contacts

POLES	TOL
2×2p-2×6p	+0.15/-0.15
2×7p-2×12p	+0.20/-0.20
2×13p-2×18p	+0.25/-0.25
2×19p-2×24p	+0.30/-0.30

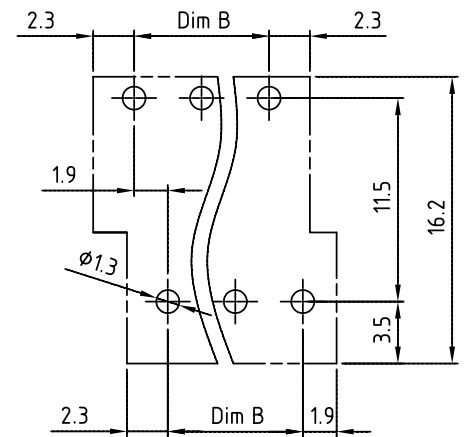
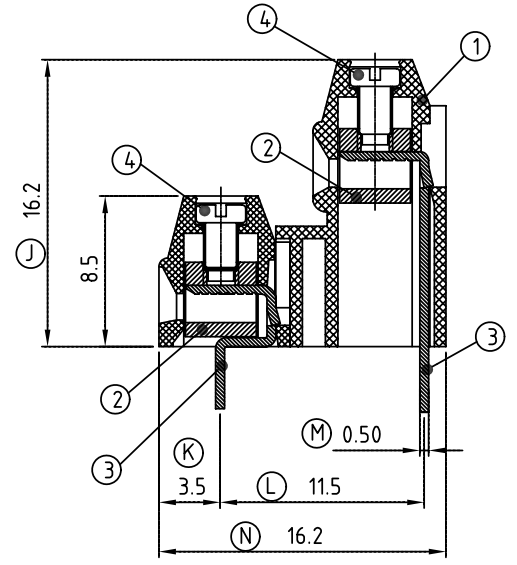
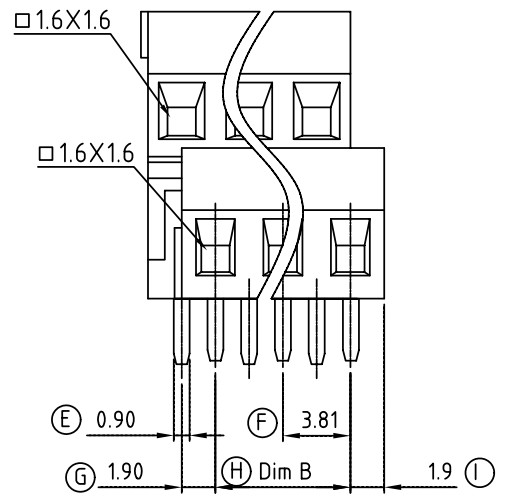
SIGN	DATE	DESCRIPTION	APPROVER
△		THIS IS CAD DRAWING, DO NOT REVISE MANUALLY!!!	

Material:

- Item 1 Terminal housing :Thermoplastic (UL 94V-0)
- Item 2 Clamp : Brass ,Ni plated
- Item 3 Wire guard solder pin : Brass ,Tin plated
- Item 4 Terminal screw: Steel Zinc plating"- "slot type

Electrical cULus

- Voltage rating: 300VAC
- Current rating: 10A
- Wire range:
- Solid wire(AWG): 16-24
- Stranded wire(AWG): 16-24
- Torque(Lb-In): 1.7
- Screw: M2
- Wire strip length: 5-6mm
- Withstanding Voltage: 1.6KV
- Operating temperature: -40°C to +115°C
- Soldering temperature: 250°C±10°C/5 Sec
- Safety Approval: cULus



P.C.B. LAYOUT

YQ xx 61 x 0 xxxx G

- | | | | |
|------------------|---------------------|-------------------------|----------------|
| 04 2×2 CONTACTS | 0 Black | 0000:"@"Logo (Standard) | Pb < 40,000ppm |
| 06 2×3 CONTACTS | 5 Green(RAL 6018/T) | 000A:"ANYTEK"Logo | (RoHS) |
| ... | 6 Blue | Any special item by | |
| 48 2×24 CONTACTS | 8 Grey(RAL 7035/D) | customer request, | |
| | | please contact sales | |
| | | department. | |

ANYTEK

CUSTOMER COPY

ALL RIGHTS RESERVED. REPRODUCTION OR ISSUE TO THIRD PARTIES IN ANY FORM WHATSOEVER IS NOT PERMITTED WITHOUT WRITTEN AUTHORITY FROM THE PROPRIETOR. PROPERTY OF ANYTEK TECHNOLOGY CO., LTD

TITLE		YQ-3.81mm SERIES Right					
PART NO.		YQxx61x0xxxxG		DWG NO.	8YQ0102		
APPROVED	CHECKED	DESIGNED	DRAWN	CUST NO.			
	Marvin 2008.06.06	Marvin 2008.06.06	Marvin 2008.06.06				
					Tolerance		
					X.	±0.50	
				UNIT: mm	X.X	±0.30	
				SCALE: NONE	X.XX	±0.10	
				SHEET: 01/01	REV.: B	X°	±1°