

SIGN	DATE	DESCRIPTION	APPROVER
△	02/02.07	Soldering temperature changed from 245° to 250°	Tason
△	02/02.07	Part NO is Changed	Tason
△	03/04.08	Screw from M3 to M3.5	Aaron
△	04.08.09	Current, wire range, torque are changed	JODY
△	9/14/09	Wire guard solder pin is changed from Brass to Copper	Aaron
△	02/22/10	Torque is changed from 8.9Lb-In to 6.9Lb-In	Aaron
△	08/03/10	Clamp is changed	Aaron
△	12/13/10	Add is " TUV "	Chen Bo

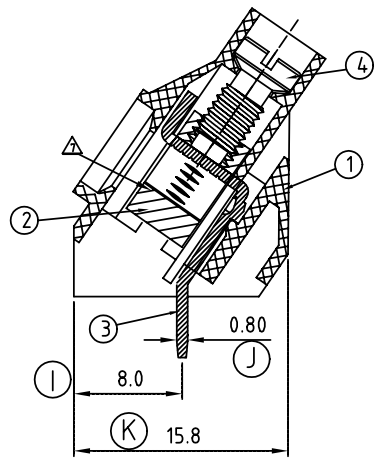
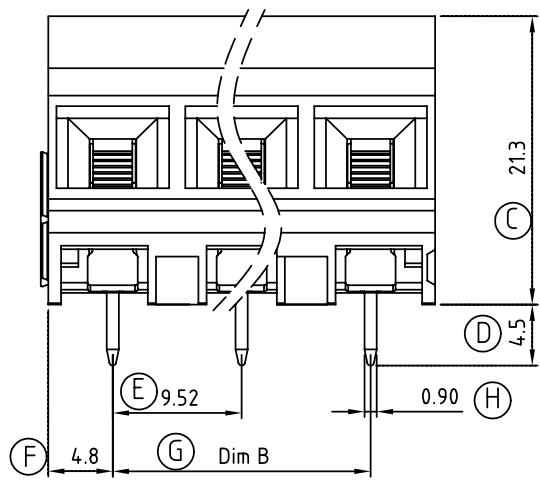
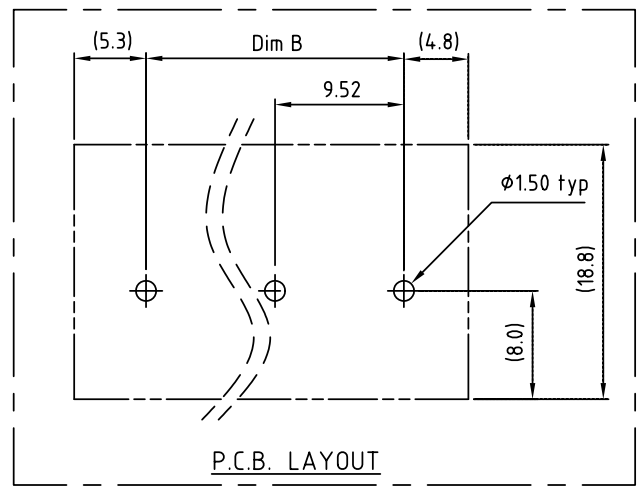
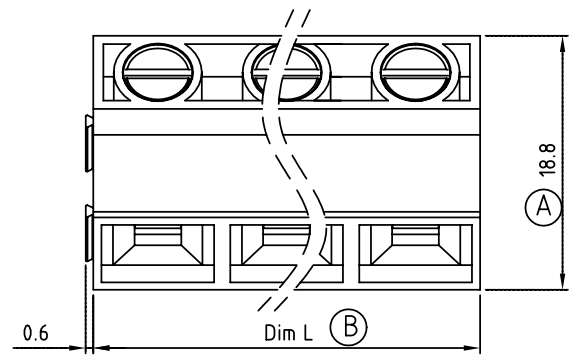
THIS IS CAD DRAWING, DO NOT REVISE MANUALLY!!!

Material:

- Item 1 Terminal housing: Thermoplastic (UL 94V-0)
 - Item 2 Clamp: Brass, Ni plated
 - △ ● Item 3 Wire guard solder pin: Copper, Tin plated
 - Item 4 Terminal screw: Steel Zinc plating"- "slot type
- △ Electrical cULus TUV
- Voltage rating: 300VAC 750VAC
 - △ ● Current rating: 30A 41A
 - Wire range: 0.20-6.0mm²
 - △ ● Solid wire(AWG): 10-24
 - △ ● Stranded wire(AWG): 10-24
 - △ ● Torque(Lb-In): 6.9 0.85 N.m
 - △ ● Screw: M3.5
 - Wire strip length: 6-7mm
 - Withstanding Voltage: 1.6KV 3.0KV
 - Operating temperature: -40°C to +115°C
 - △ ● Soldering temperature: 250°C±10°C/5 Sec
 - Safety Approval:

△ T7 xx 23 x 1 xxxx G

- | | | |
|-----------------------------------|---------------------|--|
| No. of poles end stackable design | 0 Black (RAL9005) | 0000 Standard @ Logo |
| 02 2 CONTACTS | 2 Red (RAL3001/D) | 000A Standard ANY Logo |
| 03 3 CONTACTS | 3 Orange(RAL2011/P) | Any special item by customer request, please contact sales department. |
| ... | 4 Yellow(RAL1018/A) | |
| ... | 5 Green(RAL6018/T) | |
| 16 16 CONTACTS | 6 Blue (RAL5015/A) | |
| | 8 Grey(RAL7035/D) | |
- RoHS Pb<40,000ppm



Poles	02	03	04	05	06	07	08	09	10	11	12	13	14	15	16
Dim L	19.04	28.56	38.08	47.60	57.12	66.64	76.16	85.68	95.20	104.72	114.24	123.76	133.28	142.80	152.32
Dim B	9.52	19.04	28.56	38.08	47.60	57.12	66.64	76.16	85.68	95.20	104.72	114.24	123.76	133.28	142.80
TOL	±0.20					±0.30					±0.40				

ANYTEK

ALL RIGHTS RESERVED. REPRODUCTION OR ISSUE TO THIRD PARTIES IN ANY FORM WHATSOEVER IS NOT PERMITTED WITHOUT WRITTEN AUTHORITY FROM THE PROPRIETOR. PROPERTY OF ANYTEK TECHNOLOGY CO., LTD

TITLE		T7 - 9.52mm 45° Series 2P-16P" - " Screw Stackable			
PART NO.		T7xx23x1xxxxG		DWG NO.	8T70201
APPROVED	CHECKED	DESIGNED	DRAWN	CUST NO.	
			Chen Bo 2010.12.13		
				UNIT: mm	X. ±0.50
				SCALE: NONE	X.X ±0.30
				REV.: J	X.XX ±0.10
				SHEET: 01/01	X° ±1°