

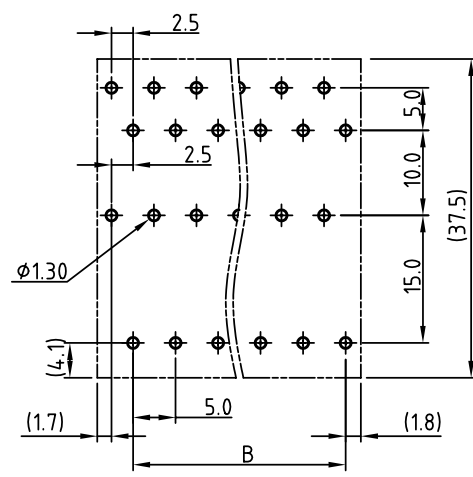
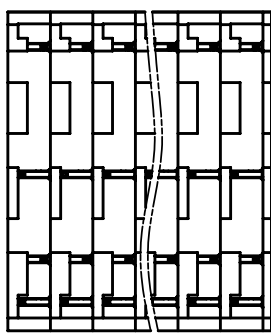
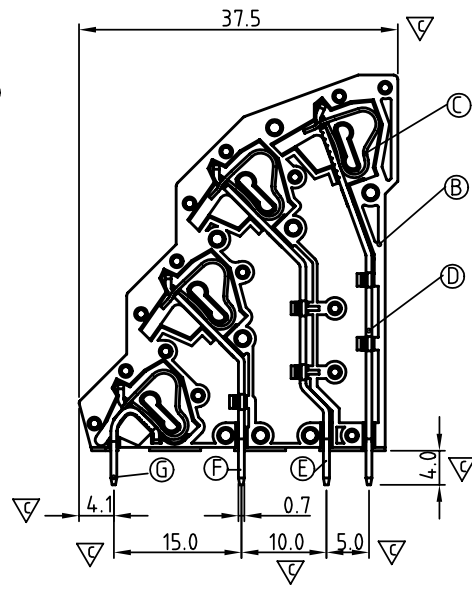
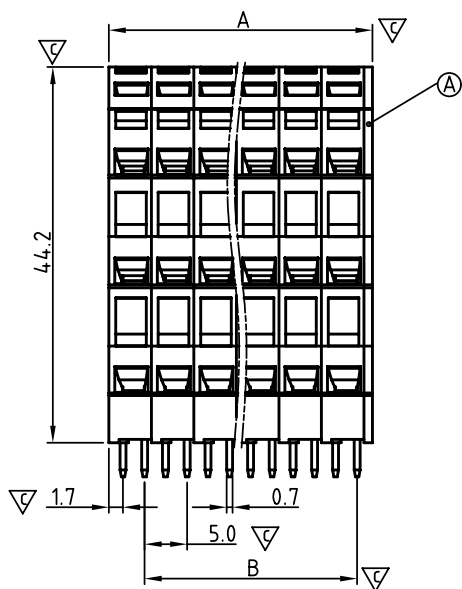
SIGN	DATE	DESCRIPTION	APPROVER
△	07/02'11	No. OF POLES is changed	Runner
△	09/24'11	Add is "cULus" mark	Runner

THIS IS CAD DRAWING, DO NOT REVISE MANUALLY!!!

- Material:
- Item (A) Insulator(Cover): Thermoplastic (UL94V-0)
 - Item (B) Insulator(housing): Thermoplastic (UL94V-0)
 - Item (C) Spring clamp: Stainless steel
 - Item (D) Solder Pin (The fourth layer) : Brass, Tin plated
 - Item (E) Solder Pin (The third layer) : Brass, Tin plated
 - Item (F) Solder Pin (The second layer) : Brass, Tin plated
 - Item (G) Solder Pin (The first layer) : Brass, Tin plated

- Electrical: cULus
- Voltage rating: 300V
 - Current rating: 10A
 - Wire range:
 - Solid wire(AWG): 12-28
 - Stranded wire(AWG): 12-28
 - Wire strip length: 6-7mm
 - Withstanding Voltage: 1.6KV
 - Operating temperature: -40°C to +115°C
 - Soldering temperature: 250°C±10°C/5 Sec

- △ ● Safety Approval: cULus
 - Critical dimension: ▽
- HS xx 0 0 x 1 xxxx G**
- No. OF POLES _____
- △ 08: 4x2 POLES
 - 92: 4x23 POLES
 - 96: 4x24 POLES
- COLOR _____
- 0: BLACK
 - 5: GREEN (RAL 6018/T)
 - 6: BLUE
 - 8: GREY (RAL 7004/P)
- G: Pb<40000ppm
- 0000: "@" Logo (Standard)
000A: "ANYTEK" Mark
Any special item by customer request.
please contact sales department.



PCB Layout

N = Number of poles.
Dim.A = N×5.0+1.0
Dim.B = (N-1)×5.0

POLE	4x2 ~ 4x6	4x7 ~ 4x12	4x13 ~ 4x18	4x19 ~ 4x24
Dim.A	±0.15	±0.25	±0.35	±0.45
Dim.B	±0.15	±0.25	±0.30	±0.40

<h1>ANYTEK</h1>				<h2>CUSTOMER COPY</h2>			
ALL RIGHTS RESERVED. REPRODUCTION OR ISSUE TO THIRD PARTIES IN ANY FORM WHATSOEVER IS NOT PERMITTED WITHOUT WRITTEN AUTHORITY FROM THE PROPRIETOR. PROPERTY OF ANYTEK TECHNOLOGY CO., LTD							
TITLE		HS 5.0mm Series (Solder pins staggered by half the pin spacing)					
PART NO.		HSxx00x1xxxxG		DWG NO.		8HS0102	
APPROVED		CHECKED	DESIGNED	DRAWN	CUST NO.		Tolerance
			Runner	Kind			X. ±0.50
			2011.09.24	2009.6.8			X.X ±0.30
					SHEET: 01/01		X.XX ±0.10
					REV.: D		X° ±1°