


SIGN	DATE	DESCRIPTION	APPROVER
△	09/24`11	Add is "cULus" mark	Runner
<i>THIS IS CAD DRAWING, DO NOT REVISE MANUALLY!!!</i>			

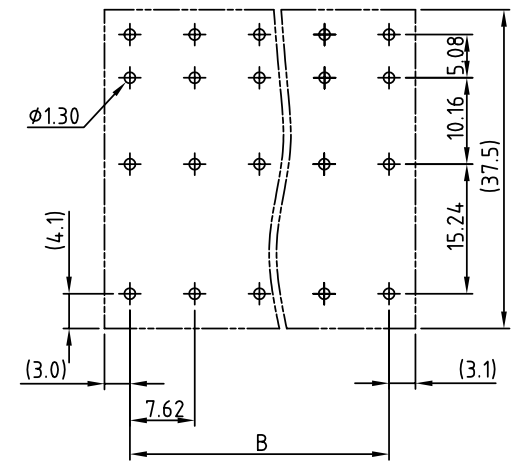
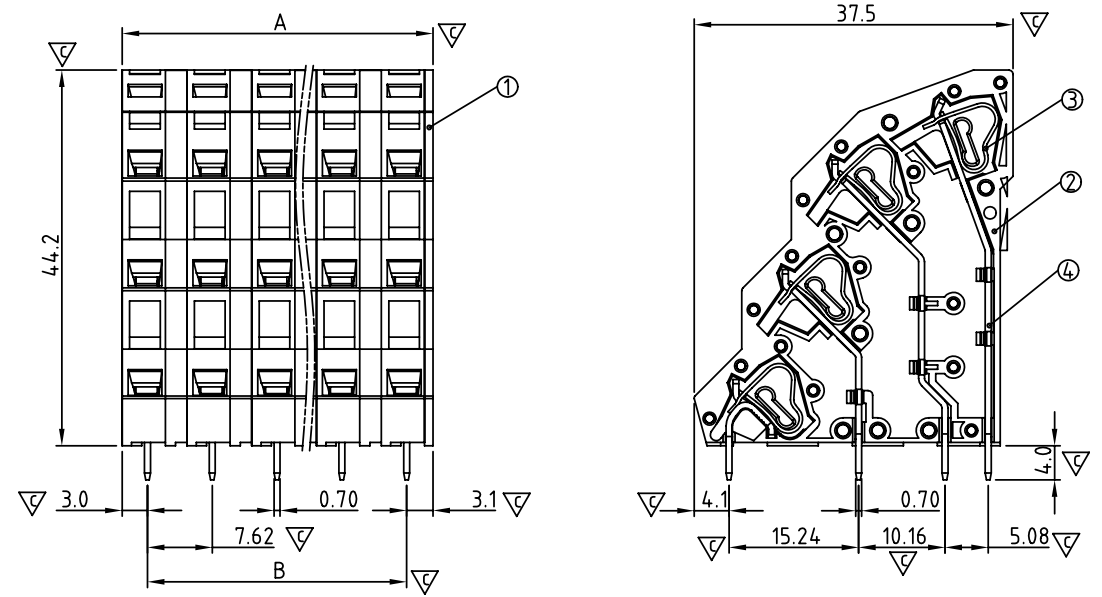
- Material:
- Item ① Insulator(Cover): Thermoplastic (UL94V-0)
 - Item ② Insulator(housing): Thermoplastic (UL94V-0)
 - Item ③ Spring clamp: Stainless steel
 - Item ④ Terminal Body(contact pin): Brass, Tin plated

- Electrical: cULus
- Voltage rating: 300V
 - Current rating: 10A
 - Wire range:
 - Solid wire(AWG): 12-28
 - Stranded wire(AWG): 12-28
 - Wire strip length: 6-7mm
 - Withstanding Voltage: 1.6KV
 - Operating temperature: -40°C to +115°C
 - Soldering temperature: 250°C±10°C/5 Sec
 - Critical dimension: ▽

△ ● Safety Approval: 

HS xx 5 0 x 0 xxxx G

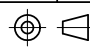
- No. OF POLES ————
- 08: 4×2 POLES
60: 4×15 POLES
64: 4×16 POLES
- COLOR ————
- 0: BLACK
5: GREEN (RAL 6018/T)
6: BLUE
8: GREY (RAL 7004/P)
- G: Pb<40000ppm
0000: "@ " Logo (Standard)
000A: "ANYTEK" Mark
Any special item by customer request. please contact sales department.



PCB Layout

N = Number of poles.
Dim.A = N×7.62+1.0
Dim.B = (N-1)×7.62

POLE	4×2 ~ 4×4	4×5 ~ 4×8	4×9 ~ 4×12	4×12 ~ 4×16
Dim.A	±0.15	±0.25	±0.35	±0.45
Dim.B	±0.15	±0.25	±0.30	±0.40

ANYTEK				CUSTOMER COPY			
ALL RIGHTS RESERVED. REPRODUCTION OR ISSUE TO THIRD PARTIES IN ANY FORM WHATSOEVER IS NOT PERMITTED WITHOUT WRITTEN AUTHORITY FROM THE PROPRIETOR. PROPERTY OF ANYTEK TECHNOLOGY CO., LTD							
TITLE		HS 7.62mm Series (Solder pins in line)					
PART NO.		HSxx50x0xxxxG			DWG NO.		8HS0002
APPROVED		CHECKED	DESIGNED	DRAWN	CUST NO.		Tolerance
			Runner 2011.09.24	Tony 2007.12.19			X. ±0.50
							UNIT: mm
					SHEET: 01/01		X.XX ±0.10
					REV.: B2		X° ±1°