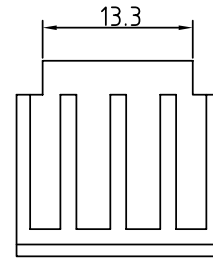
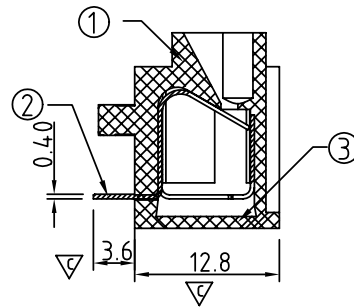
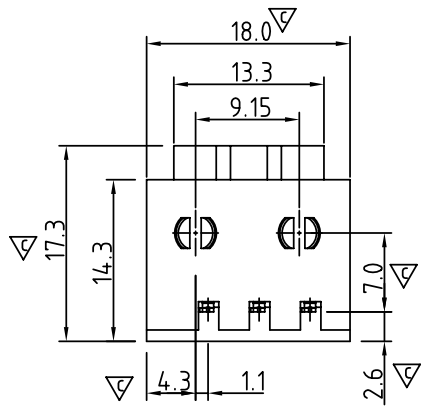
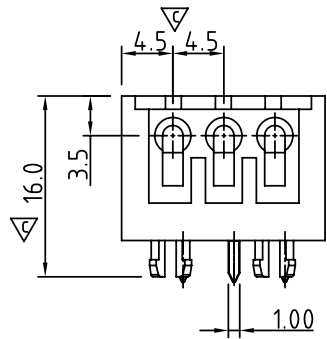
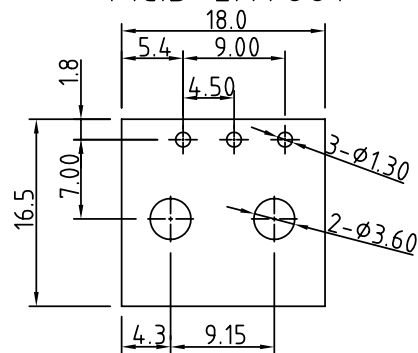


SIGN	DATE	DESCRIPTION	APPROVER
△	02/27'07	Part No. is changed.	Aaron
△	10/13'11	Operating temperature is changed	ChenMing
△	10/13'11	Remove the "VDE" mark	ChenMing

THIS IS CAD DRAWING, DO NOT REVISE MANUALLY!!!



P.C.B LAYOUT



Material

- Item 1 Insulating body Thermoplastic (UL94V-0)
- Item 2 Contacts PIN PhBz(CuSn) Tin plated
- Item 3 Insulating cover Thermoplastic (UL94V-0)

Electrica

- Voltage rating: 300VAC
- Current rating: 2A
- Solid wire(AWG): 18
- Stranded wire(AWG): 18
- Wire strip length: 6-7mm
- Withstanding Voltage: 1.6KV
- △ ● Operating temperature: -40°C to +115°C
- Soldering temperature: 250°C±10°C/5 Sec
- △ ● Safety Approval:
- Critical dimension: ▽

△ TN 03 2 x 2 0 xxxx G

- 0 Black
- 9 White

RoHS compliant
(lead<4%)
In copper Alloy

0000 Standard @ Logo
000A Standard ANY Logo
Any special item by
customer request,
please contact sales
department.

ANYTEK

CUSTOMER COPY

ALL RIGHTS RESERVED. REPRODUCTION OR ISSUE TO THIRD PARTIES IN ANY FORM WHATSOEVER IS NOT PERMITTED WITHOUT WRITTEN AUTHORITY FROM THE PROPRIETOR. PROPERTY OF ANYTEK TECHNOLOGY CO., LTD

TITLE		TN-4.5mm 180D Series 3P With cover				
PART NO.		TN032x20xxxxG		DWG NO.	8TN0203	
APPROVED	CHECKED	DESIGNED	DRAWN	CUST NO.		
			ChenMing 2011.10.13	Tolerance		
					UNIT: mm	X. ±0.50
					SCALE: NONE	X.X ±0.30
				SHEET: 01/01	REV.: D	X.XX ±0.10
						X° ±1°

SIGN	DATE	DESCRIPTION	APPROVER
△	02/27'07	Part No. is changed.	Aaron
△	10/13'11	Operating temperature is changed	ChenMing
△	10/13'11	Remove the "VDE" mark	ChenMing
△	10/13'11	The dimension is changed from 22.90 to 22.9	ChenMing
△			

THIS IS CAD DRAWING, DO NOT REVISE MANUALLY!!!

Material

- Item 1 Insulating body Thermoplastic (UL94V-0)
- Item 2 Contacts PIN PhBz(CuSn) Tin plated
- Item 3 Insulating cover Thermoplastic (UL94V-0)

Electrica

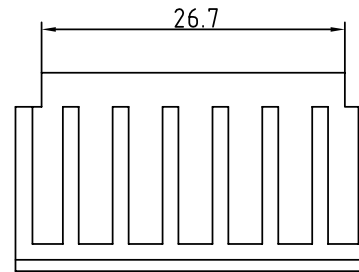
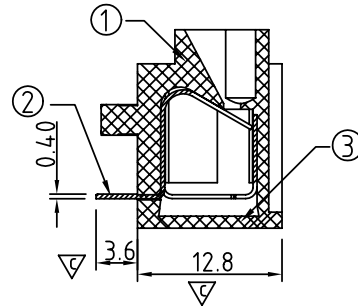
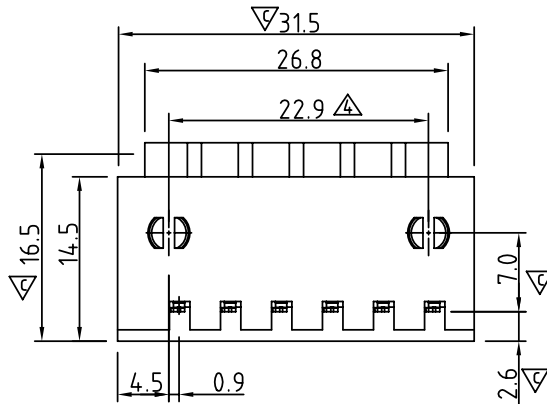
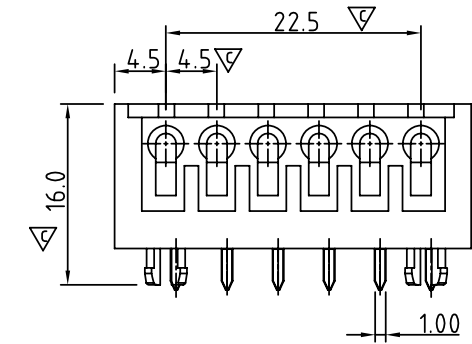
- Voltage rating: 300VAC
- Current rating: 2A
- Solid wire(AWG): 18
- Stranded wire(AWG): 18
- Wire strip length: 6-7mm
- Withstanding Voltage: 1.6KV
- △ ● Operating temperature: -40°C to +115°C
- Soldering temperature: 250°C±10°C/5 Sec
- △ ● Safety Approval:
- Critical dimension: ▽

△ TN 06 2 x 2 0 xxxx G

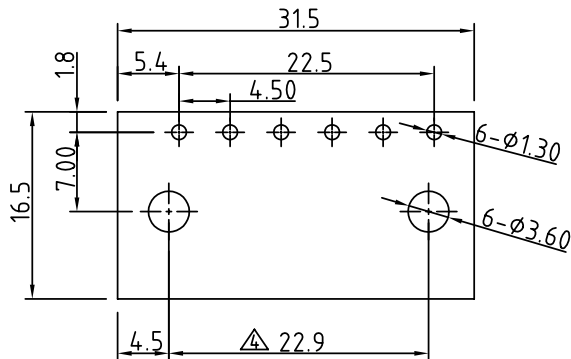
0 Black
9 White

RoHS compliant
(lead<4%)
In copper Alloy

0000 Standard @ Logo
000A Standard ANY Logo
Any special item by
customer request,
please contact sales
department.



P.C.B LAYOUT



ANYTEK

CUSTOMER COPY

ALL RIGHTS RESERVED. REPRODUCTION OR ISSUE TO THIRD PARTIES IN ANY FORM WHATSOEVER IS NOT PERMITTED WITHOUT WRITTEN AUTHORITY FROM THE PROPRIETOR. PROPERTY OF ANYTEK TECHNOLOGY CO., LTD

TITLE		TN-4.5mm 180D Series 6P With cover				
PART NO.		TN062X20XXXXG		DWG NO.		8TN0204
APPROVED	CHECKED	DESIGNED	DRAWN	CUST NO.		Tolerance
			ChenMing 2011.10.13			X. ±0.50
						X.X ±0.30
						X.XX ±0.10
						X° ±1°
				SHEET: 01/01	UNIT: mm	
				SCALE: NONE	REV.: D	