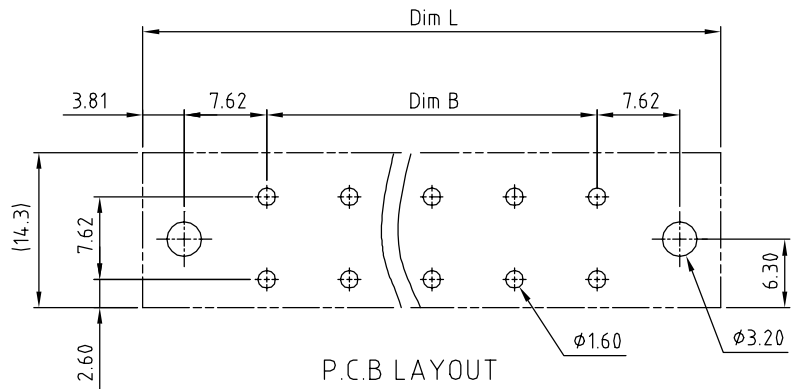
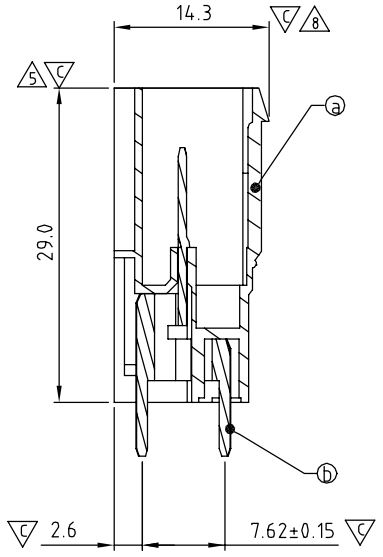
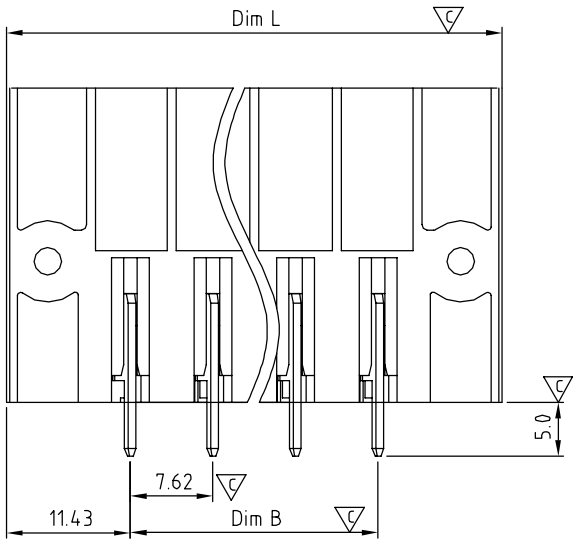


DIM		TOL		
		2P-6P	7P-12P	13P-16P
Dim L	(N+2)×7.62	±0.15	±0.20	±0.30
Dim B	(N-1)×7.62	±0.15	±0.20	±0.30
Dim C	(N+1)×7.62	±0.15	±0.20	±0.30



SIGN	DATE	DESCRIPTION	APPROVER
△	04/08'09	The current rating and operating temperature are changed	Jacke
△	04/08'09	Added cULus standard	Jacke
△	2010.01.30	The material is changed from Brass to Copper	Jacke
△	07/31'12	Added TUV standard	Chen Bo
△	07/31'12	The Dimension is added	Chen Bo
△	07/31'12	The IEC spec is removed	Chen Bo
△	07/31'12	Soldering temperature changed from 250°C±10°C/5Sec to 260°C± 5°C/5Sec	Chen Bo
△	07/31'12	The Dimension is changed from 14.2 to 14.3	Chen Bo

THIS IS CAD DRAWING, DO NOT REVISE MANUALLY!!!

Material:

- Item A Terminal(housing): Thermoplastic (UL94V-0)
- Item B Male contact pin: Copper Tin plated
- Item C Flange Nut: Steel Zinc plating M3.0

- △ Electrical cULus TUV
- Voltage rating: 300V 800V
- Current rating: 32A 32A
- Withstanding Voltage: 1.6KV 6KV
- Operating temperature: -40°C to +115°C
- Soldering temperature: 260°C± 5°C/5 Sec
- Safety Approval:
- Critical dimension: ▽

VC xx 01 x 1 xxxx G

- Solid Block
- 02 2 POLES
- 03 3 POLES
- ...
- 16 16 POLES

- COLOR
- 0 Black (RAL9005)
 - 2 Red (RAL3001/D)
 - 3 Orange(RAL2011/P)
 - 4 Yellow(RAL1018/A)
 - 5 Green(RAL6018/T)
 - 6 Blue (RAL5015/A)
 - 8 Grey(RAL7035/D)

G RoHS compliant (lead<4%)
In copper Alloy

000 0 Standard @ Logo
000 A Standard ANY Logo

Any special item by customer request, please contact sales department.

ANYTEK		CUSTOMER COPY		ALL RIGHTS RESERVED. REPRODUCTION OR ISSUE TO THIRD PARTIES IN ANY FORM WHATSOEVER IS NOT PERMITTED WITHOUT WRITTEN AUTHORITY FROM THE PROPRIETOR. PROPERTY OF ANYTEK TECHNOLOGY CO., LTD			
				TITLE VC 7.62 SERIES Vertical (180D) Flange with nut		PART NO. VCxx01x1xxxxG	
APPROVED	CHECKED	DESIGNED	DRAWN	CUST NO.	Tolerance		
		Chen Bo 07/31'12	Chen Bo 07/31'12			UNIT: mm	X. ±0.50
						SCALE: NONE	X.X ±0.30
SHEET: 01/01				REV.: E	X.XX ±0.10	X° ±1°	