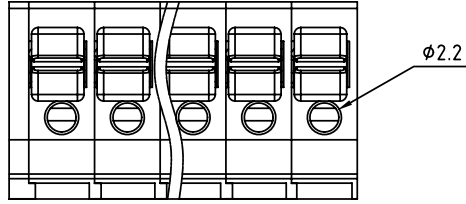
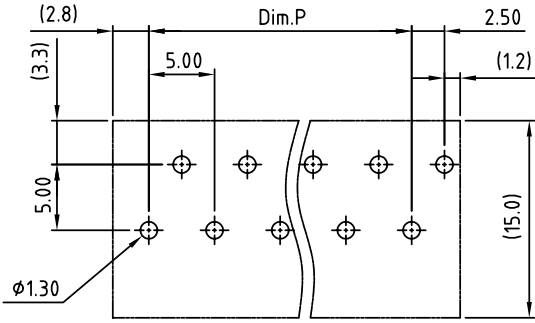
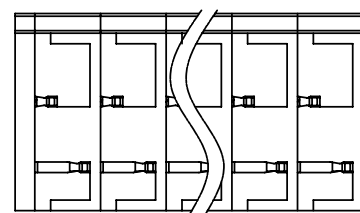
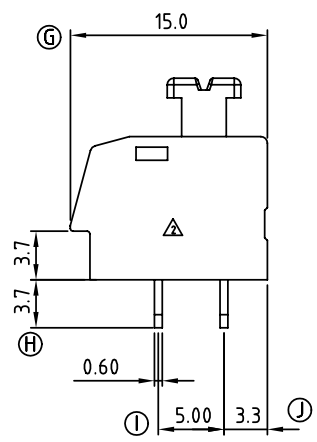
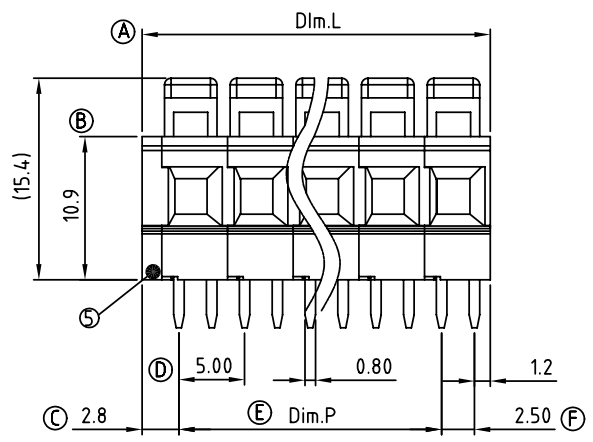
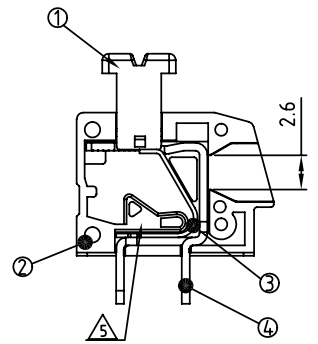


SIGN	DATE	DESCRIPTION	APPROVER
△	4/14'09	In order not to violate the WAGO's patent, the construction is changed.	Marvin
△	12/09'10	Remove the mushroom hole of the bottom and change the electrical spec.	Runner
△	03/18'11	How to order is changed	Runner
△	04/21'11	Add is Note	Runner
△	08/13'12	structure design is changed	Dacheng
△	08/25'12	Changed from 250°C±10°/5 Sec to 260°C±5°C/5 Sec	Dacheng

THIS IS CAD DRAWING, DO NOT REVISE MANUALLY!!!



PCB Layout



Material:

- Item ① Terminal lever: Thermoplastic (UL94V-0)
- Item ② Terminal housing: Thermoplastic (UL94V-0)
- Item ③ Spring clamp: Stainless steel
- Item ④ Solder pin: Brass. Tin plated
- Item ⑤ Terminal cover: Thermoplastic (UL94V-0)

- Electrical: cULus VDE
- Voltage rating: 300 V 250 V
 - Current rating: 11 A 12 A
 - Wire range: 0.5-4mm²
 - Solid wire(AWG): 12-20
 - Stranded wire(AWG): 12-20
 - Wire strip length: 10-11 mm
 - Withstanding Voltage: 1.6KV 2KV
 - Operating temperature: -40°C to +115°C
 - Soldering temperature: 260°C ±5°C/5 Sec
 - Safety Approval:

H6 xx 0 0 x 0 xxxx G

No. OF POLES
02: 2 POLES
:
24: 24 POLES

COLOR
0: BLACK
5: GREEN (RAL 6018/T)
6: BLUE
8: GREY (RAL 7004/P)

G: RoHs compliant (lead<4%) In copper Alloy

1000: "@ Logo (Standard)
100A: "ANYTEK" Mark

Any special item by customer request. please contact sales department.

POLE	2	3	4	5	6	7	8	9	10	11	12	
Dim.L	11.50	16.50	21.50	26.50	31.50	36.50	41.50	46.50	51.50	56.50	61.50	
Dim.P	5.00	10.00	15.00	20.00	25.00	30.00	35.00	40.00	45.00	50.00	55.00	
Tol.	±0.15					±0.25						
POLE	13	14	15	16	17	18	19	20	21	22	23	24
Dim.L	66.50	71.50	76.50	81.50	86.50	91.50	96.50	101.50	106.50	111.50	116.50	121.50
Dim.P	60.00	65.00	70.00	75.00	80.00	85.00	90.00	95.00	100.00	105.00	110.00	115.00
Tol.	±0.30					±0.40						

ANYTEK

CUSTOMER COPY

ALL RIGHTS RESERVED. REPRODUCTION OR ISSUE TO THRD PARTIES IN ANY FORM WHATEVER IS NOT PERMITTED WITHOUT WRITTEN AUTHORITY FROM THE PROPRIETOR. PROPERTY OF ANYTEK TECHNOLOGY CO., LTD

TITLE		H6 5.0mm Series (Square hole) △		DWG NO.		8H60001	
PART NO.		H6xx00x0xxxxG		APPROVED		Tolerance	
CHECKED		DESIGNED		DRAWN		CUST NO.	
		Dacheng 2012.08.25		Dacheng 2012.08.25		X. ±0.50 X.X ±0.30 X.XX ±0.10 X* ±1°	
SHEET: 01/01				UNIT: mm		SCALE: NONE	
				REV: I			