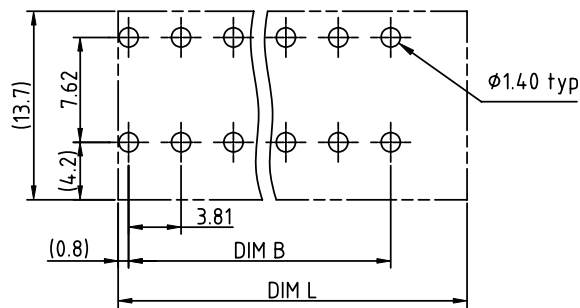
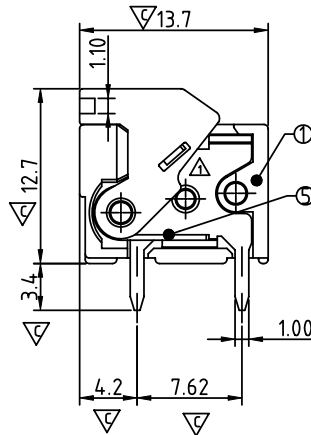
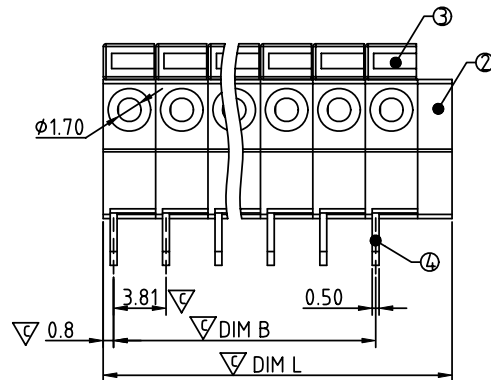
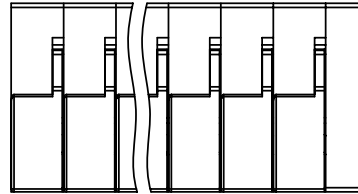


SIGN	DATE	DESCRIPTION	APPROVER
△	07/23'13	change the structure///update the drawing	Da cheng
△			
△			

THIS IS CAD DRAWING, DO NOT REVISE MANUALLY!!!



△ P.C.B. LAYOUT
Top view

N = Number of poles
 Dim L = N x 3.81 + 2.5
 Dim B = (N - 1) x 3.81

	Dim L	Dim B
2-5p	±0.10	±0.10
6-10p	±0.15	±0.15
11-15p	±0.20	±0.20
16-20p	±0.25	±0.25
21-24p	±0.30	±0.30

Material

- Item ① Terminal body Thermoplastic (UL94V-0)
- Item ② Terminal cover Thermoplastic (UL94V-0)
- Item ③ Terminal lever Thermoplastic (UL94V-0) Orange(RAL2011/P)
- Item ④ Solder pin Brass, Tin plated
- Item ⑤ Spring clamp Stainless steel

Electrical cULus

- Voltage rating: 300VAC
- Current rating: 6A
- Wire range:
- Solid wire(AWG): 16-26
- Stranded wire(AWG): 16-26
- Withstanding Voltage: 1.6KV
- Operating temperature: -40°C to +115°C
- Soldering temperature: 260°C±5°C/5 Sec
- Safety Approval: us
- Critical dimension: △

PART NO.

HA xx 71 x 0 xxxx G

△ RoHs compliant (lead<4%) In copper Alloy

Poles 02 2Poles 03 3Poles .. 24 24Poles	△ Body Color 0 Black (RAL9005) 2 Red (RAL3001/D) 3 Orange(RAL2011/P) 4 Yellow(RAL1018/A) 5 Green(RAL6018/T) 6 Blue (RAL5015/A) 8 Grey(RAL7004/P) 9 White(RAL1102) C Multiple colors	0000 Standard @ Logo 000A Standard ANY Logo Any special item by customer request, please contact sales department.
---	--	--

ANYTEK

CUSTOMER COPY

ALL RIGHTS RESERVED. REPRODUCTION OR ISSUE TO THIRD PARTIES IN ANY FORM WHATSOEVER IS NOT PERMITTED WITHOUT WRITTEN AUTHORITY FROM THE PROPRIETOR. PROPERTY OF ANYTEK TECHNOLOGY CO., LTD

TITLE		HA 3.81 Series Horizontal (180D wire inlet)				
PART NO.		HAxx71x0xxxxG		DWG NO.		8HA0801
APPROVED	CHECKED	DESIGNED	DRAWN	CUST NO.	Tolerance	
		Da cheng 2013.07.04	Da cheng 2013.07.04		X. ±0.50 X.X ±0.30 X.XX ±0.10 X* ±1*	
SHEET: 01/01				UNIT: mm	SCALE: NONE	
				REV: C		