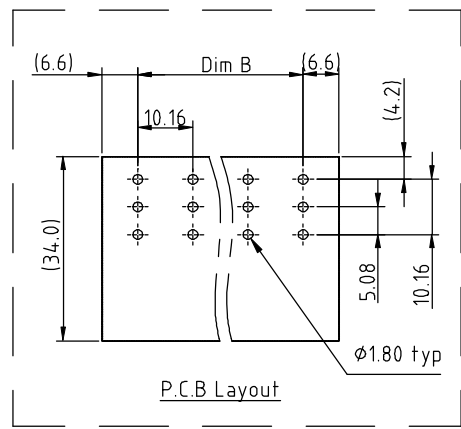
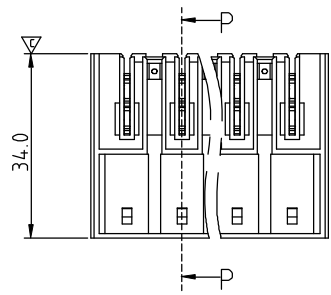


SIGN	DATE	DESCRIPTION	APPROVER
△	03/04`14	update the drawing	Chen Bo
<i>THIS IS CAD DRAWING, DO NOT REVISE MANUALLY!!!</i>			

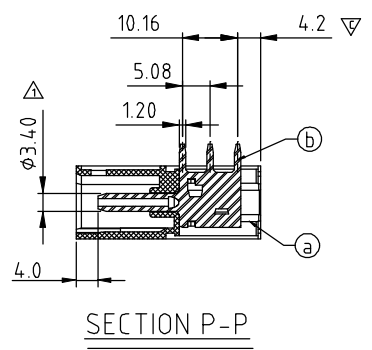
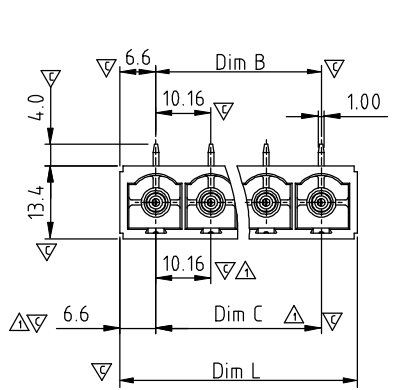


Material:

- Item a Terminal(housing): Thermoplastic, UL 94 - V0.
- Item b Male contact pin: Copper, Gold plated

Electrical: cULus / IEC

- Voltage rating: 300V / 1000V
- Current rating: 55A / 76A
- Withstanding Voltage: 1.6 KV / 8 KV
- Operating temperature: -40°C to +115°C
- Soldering temperature: 260°C±5°C/5 Sec
- Safety Approval: us
- Critical dimension: ▽



Dimension

Dim L	N×10.16+3.04
Dim B	(N-1)×10.16
Dim C	(N-1)×10.16

N=Number of poles

POLES	TOL
2p-5p	±0.25
6p-8p	±0.35
9p-12p	±0.45

△ EW xx 61 x 2 xxxx G

Solid Block ←
 02 2Contacts
 03 3Contacts
 ..
 12 12Contacts

Color
 0 Black (RAL9005)
 2 Red (RAL3001/D)
 3 Orange(RAL2011/P)
 4 Yellow(RAL1018/A)
 5 Green(RAL6018/T)
 6 Blue (RAL5015/A)
 8 Grey(RAL7035/D)
 9 White(RAL1102)
 C Green(RAL6018/U)

G RoHS compliant (lead<4%)
 In copper Alloy
 0000 Standard @ Logo
 000A Standard ANY Logo
 Any special item by customer request, please contact sales department.

ANYTEK				CUSTOMER COPY			
ALL RIGHTS RESERVED. REPRODUCTION OR ISSUE TO THIRD PARTIES IN ANY FORM WHATSOEVER IS NOT PERMITTED WITHOUT WRITTEN AUTHORITY FROM THE PROPRIETOR. PROPERTY OF ANYTEK TECHNOLOGY CO., LTD							
TITLE	EW 10.16 Series 2p-12p Right -Angle (up)						
PART NO.	EWxx61x2xxxxG			DWG NO.	8EW0002		
APPROVED	CHECKED	DESIGNED	DRAWN	CUST NO.	Tolerance		
		Chen Bo 03/04`14	Chen Bo 03/04`14		UNIT: mm	X.	±0.50
					SCALE: NONE	X.X	±0.30
				SHEET: 01/01	REV.: C	X.XX	±0.10
						X°	±1°