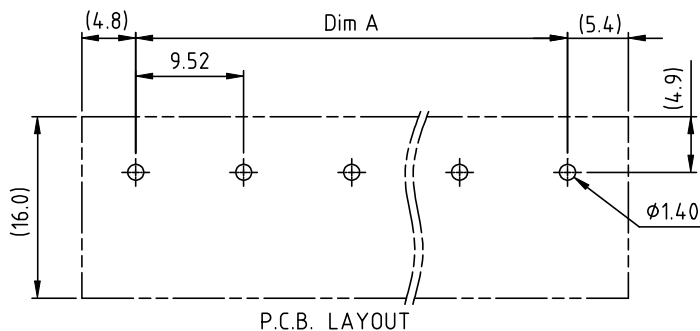
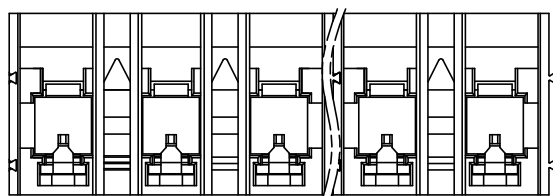
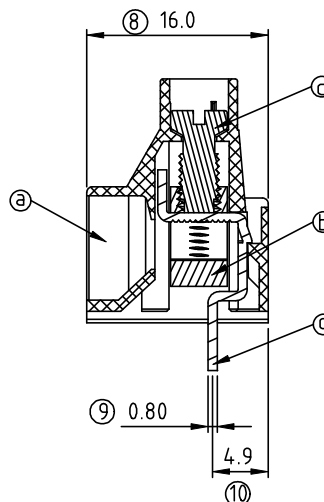
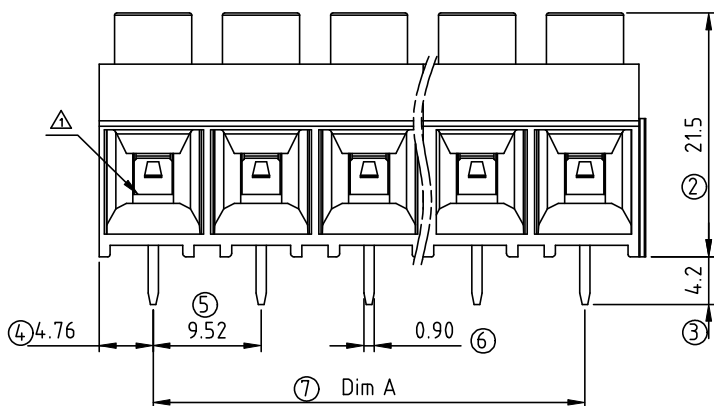


DIMENSION

Dim L	N×9.52	Poles	Tolerance
Dim A	(N-1)×9.52	2p-6p	±0.15
		7p-12p	±0.25
		13p-16p	±0.35

N=Number of contacts



SIGN	DATE	DESCRIPTION	APPROVER
△	2010.08.09	Clamp is changed	Chen Bo
△	2010.08.09	Torque is changed from 7.9Lb-In to 5.5Lb-In	Chen Bo
△	11/08'10	Add is cULus	Aaron

THIS IS CAD DRAWING, DO NOT REVISE MANUALLY!!!

Material:

- Item ③ Terminal housing : Thermoplastic (UL94V-0)
- Item ④ Clamp : Brass, Ni plated
- Item ⑤ Wire guard solder pin : Copper , Tin plated
- Item ⑥ Terminal screw: Steel Zinc plating “-” slot type

Electrical:

- Voltage rating: 300 V
- Current rating: 30 A
- Wire range:
- Solid wire(AWG): 10-24
- Stranded wire(AWG): 10-24
- △ ● Torque: 5.5 Lb-In
- Screw: M3.5
- Wire strip length: 7-8 mm
- Withstanding Voltage: 1.6 KV
- Operating temperature: -40°C to +115°C
- Soldering temperature: 250°C±10°C/5 Sec
- △ ● Safety Approval:

K O xx 2 1 x 0 xxxx G

No. of poles and stackable design: 02 2 CONTACTS, 03 3 CONTACTS,, 16 16 CONTACTS

Color: 3 Black (RAL9005), 4 Red (RAL3001/D), 5 Orange(RAL2011/P), 6 Yellow(RAL1018/A), 7 Green(RAL6018/T), 8 Blue (RAL5015/A), 9 Grey(RAL7035/D)

RoHS Pb<40,000ppm

0000 Standard @ Logo
000A Standard ANY Logo
Any special item by customer request, please contact sales department.

ANYTEK

CUSTOMER COPY

ALL RIGHTS RESERVED. REPRODUCTION OR ISSUE TO THIRD PARTIES IN ANY FORM WHATSOEVER IS NOT PERMITTED WITHOUT WRITTEN AUTHORITY FROM THE PROPRIETOR. PROPERTY OF ANYTEK TECHNOLOGY CO., LTD

TITLE		K0 9.52 Series 2P-16P (Single row Pin)				
PART NO.		K0xx21x0xxxxG		DWG NO.		8K00002
APPROVED	CHECKED	DESIGNED	DRAWN	CUST NO.		Tolerance
		Aaron 2010.11.08	Chen Bo 2010.08.09			X. ±0.50
						X.X ±0.30
				UNIT: mm		X.XX ±0.10
				SCALE: NONE		X° ±1°
				SHEET: 01/01		REV.: D