

SIGN	DATE	DESCRIPTION	APPROVER
△	02/27/07	Part No. is changed.	Aaron
△	10/13'11	Operating temperature is changed	ChenMing
△	10/13'11	Remove the "VDE" mark	ChenMing
△	10/13'11	The dimension is changed from 18.29 to 18.3	ChenMing
△	10/13'11	The dimension is changed from 10.3 to 10.3±0.20	ChenMing

THIS IS CAD DRAWING, DO NOT REVISE MANUALLY!!!

Material

- Item 1 Insulating body Thermoplastic (UL94V-0)
- Item 2 Contacts PIN PhBz(CuSn) Tin plated

Electrical

- Voltage rating: 300VAC
- Current rating: 2A
- Solid wire(AWG): 18
- Stranded wire(AWG): 18
- Wire strip length: 6-7mm
- Withstanding Voltage: 1.6KV
- △ ● Operating temperature: -40°C to +115°C
- Soldering temperature: 250°C±10°C/5 Sec
- △ ● Safety Approval:
- Critical dimension: ∇

△ TN 03 1 x 0 0 xxxx G

0 Black
9 White

RoHS compliant (lead<4%)
In copper Alloy

0000 Standard @ Logo
000A Standard ANY Logo
Any special item by customer request, please contact sales department.

ANYTEK

CUSTOMER COPY

ALL RIGHTS RESERVED. REPRODUCTION OR ISSUE TO THIRD PARTIES IN ANY FORM WHATSOEVER IS NOT PERMITTED WITHOUT WRITTEN AUTHORITY FROM THE PROPRIETOR. PROPERTY OF ANYTEK TECHNOLOGY CO., LTD

TITLE		TN-4.57mm Series 3P Without cover				
PART NO.		TN031X00XXXXG		DWG NO.	8TN0002	
APPROVED	CHECKED	DESIGNED	DRAWN	CUST NO.		
			ChenMing 2011.10.13			
					UNIT: mm	X. ±0.50
					SCALE: NONE	X.X ±0.30
				SHEET: 01/01	REV.: D	X.XX ±0.10
						X° ±1°


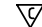
SIGN	DATE	DESCRIPTION	APPROVER
△	02/27'07	Part No. is changed.	Aaron
△	10/13'11	Operating temperature is changed	ChenMing
△	10/13'11	Remove the "VDE" mark	ChenMing
△	10/13'11	The dimension is changed from 22.85 to 22.85±0.25	ChenMing
△	10/13'11	The dimension is changed from 18.29 to 18.3	ChenMing
△	10/13'11	The dimension is changed from 10.29 to 10.3±0.20	ChenMing

THIS IS CAD DRAWING, DO NOT REVISE MANUALLY!!!

Material

- Item 1 Insulating body Thermoplastic (UL94V-0)
- Item 2 Contacts PIN PhBz(CuSn) Tin plated

Electrical cULus

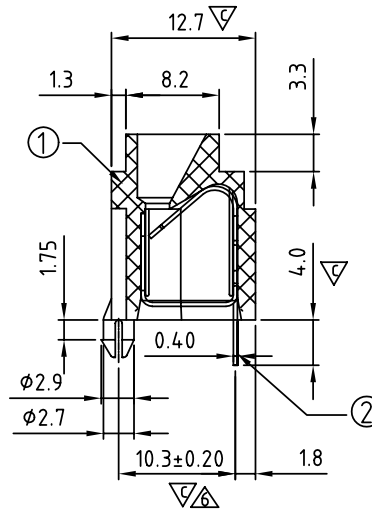
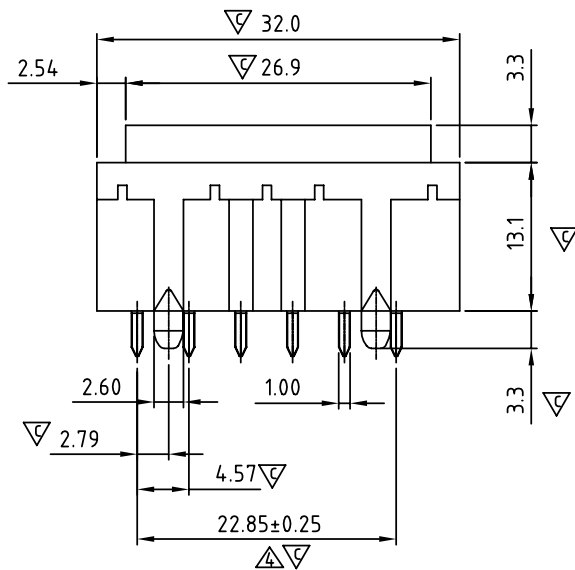
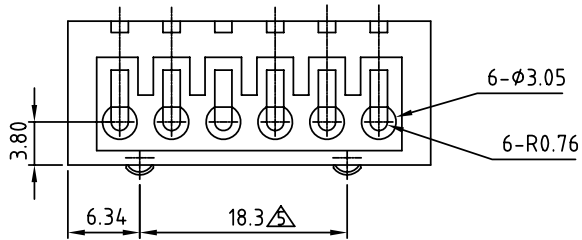
- Voltage rating: 300VAC
- Current rating: 2A
- Solid wire(AWG): 18
- Stranded wire(AWG): 18
- Wire strip length: 6-7mm
- Withstanding Voltage: 1.6KV
- △ ● Operating temperature: -40°C to +115°C
- Soldering temperature: 250°C±10°C/5 Sec
- △ ● Safety Approval: 
- Critical dimension: 

△ TN 06 1 x 00 xxxx G

0 Black
9 White

RoHS compliant
(lead<4%)
In copper Alloy

0000 Standard @ Logo
000A Standard ANY Logo
Any special item by
customer request,
please contact sales
department.



ANYTEK

CUSTOMER COPY

ALL RIGHTS RESERVED. REPRODUCTION OR ISSUE TO THIRD PARTIES IN ANY FORM WHATSOEVER IS NOT PERMITTED WITHOUT WRITTEN AUTHORITY FROM THE PROPRIETOR. PROPERTY OF ANYTEK TECHNOLOGY CO., LTD

TITLE		TN-4.57mm Series 6P Without cover			DWG NO.		8TN0001	
PART NO.		TN061X00XXXXG			CUST NO.			
APPROVED	CHECKED	DESIGNED	DRAWN	Tolerance				
			ChenMing 2011.10.13	X. ±0.50				
				X.X ±0.30				
				X.XX ±0.10				
				X° ±1°				
				UNIT: mm				
				SCALE: NONE				
				SHEET: 01/01		REV.: D		