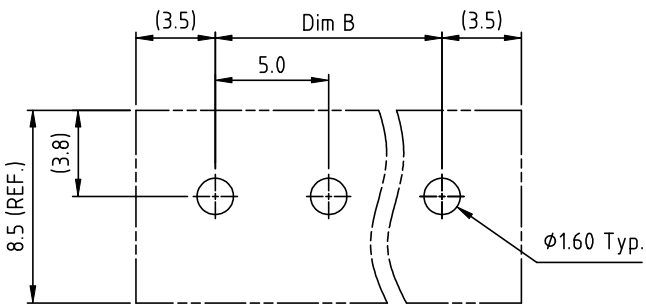
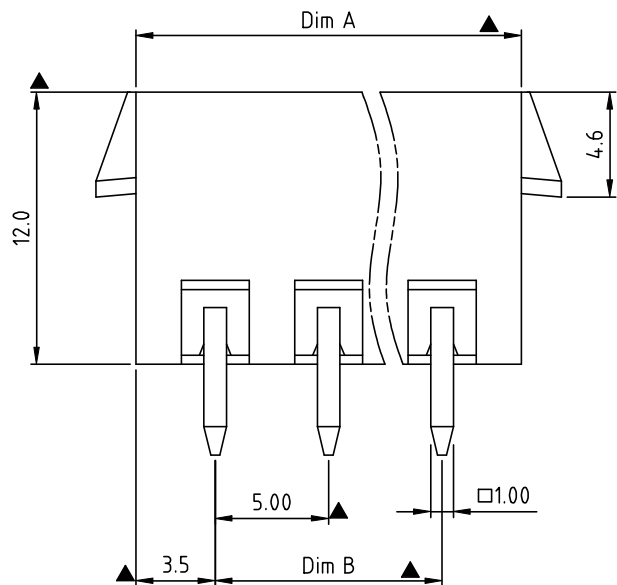
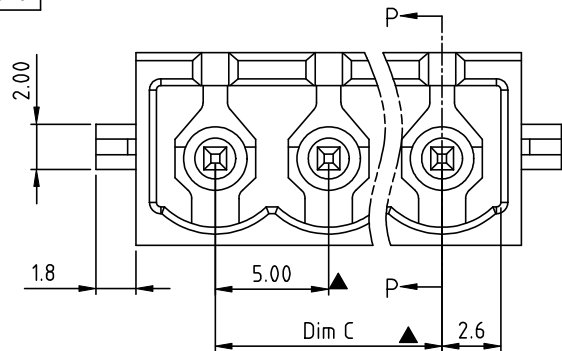
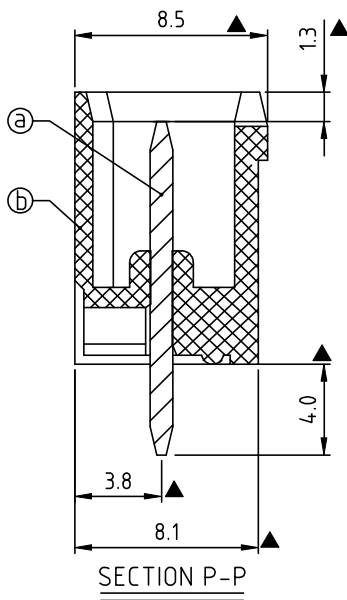


RoHS Compliant



RECOMMENDED PCB LAYOUT



N = Number of poles
 Dim A = $N \times 5.0 + 2.0$
 Dim B = $(N - 1) \times 5.0$
 Dim C = $(N - 1) \times 5.0$

Poles	Tolerance
2p-6p	± 0.15
7p-12p	± 0.20
13p-18p	± 0.30
19p-24p	± 0.40

REV	SIGN	DATE	DESCRIPTION	APPROVER
B		10/10-19	Initial release	Chen Bo

THIS IS CAD DRAWING, DO NOT REVISE MANUALLY!!!

Material:

- Item (a) Male contact pin: Copper, Bright Tin plated over Nickel plated
- Item (b) Terminal(housing): Thermoplastic (UL94V-0)

Electrical: cULus /VDE /TUV

- Voltage rating: 300V/300V/300V
- Current rating: 20A/20A/20A
- Withstanding Voltage: 1.6 KV/2.5KV/2.5KV
- Operating temperature: -40°C to +115°C
- Wave soldering temperature: 260°C \pm 5°C/5 Sec
- Safety Approval:
- Critical dimension: ▲

OQ xx 7 7 x 0 xxxx G

No. OF POLES
 02: 2 POLES
 :
 24: 24 POLES

COLOR

- 0 Black (RAL9005)
- 2 Red (RAL3001/D)
- 3 Orange(RAL2011/P)
- 4 Yellow(RAL1018/A)
- 5 Green(RAL6018/T)
- 6 Blue (RAL5015/A)
- 8 Grey(RAL7035/D)
- 9 White(RAL1102)
- C Green(RAL6018/U)

G RoHS compliant
 (lead<4%)
 In copper Alloy

0000: "@ " Logo (Standard)
 000A: "ANYTEK" Mark
 Any special item by
 customer request.
 please contact sales
 department.

Amphenol
ANYTEK

CUSTOMER COPY

ALL RIGHTS RESERVED. REPRODUCTION OR ISSUE TO THIRD PARTIES IN ANY FORM WHATSOEVER IS NOT PERMITTED WITHOUT WRITTEN AUTHORITY FROM THE PROPRIETOR. PROPERTY OF ANYTEK TECHNOLOGY CO., LTD

TITLE				OQ 5.0mm 180° Series 2P-24P (With latch holder)				
PART NO.		OQxx77x0xxxxG/AG		DWG NO.		80Q05212		
APPROVED	CHECKED	DESIGNED	DRAWN	CUST NO.		Tolerance		
		Chen Bo	Chen Bo			X.	± 0.50	
		10/10-19	06/24-19			UNIT: mm	X.X	± 0.30
						SCALE: NONE	X.XX	± 0.10
SHEET: 01/01				REV.: B		X°	$\pm 1^\circ$	