

| SIGN | DATE     | DESCRIPTION            | APPROVER |
|------|----------|------------------------|----------|
| △    | 05/24`11 | The cULus is added     | Runner   |
| △    | 05/24`11 | The dimension is added | Runner   |
| △    | 08/20`11 | Structure changed      | Runner   |

*THIS IS CAD DRAWING, DO NOT REVISE MANUALLY!!!*

**Material**

- Item ① Terminal up housing Thermoplastic ( UL94V-0 )
- Item ② Terminal down housing Thermoplastic ( UL94V-0 )
- Item ③ Spring clamp Stainless steel
- Item ④ Female contact PhBz , Tin plated

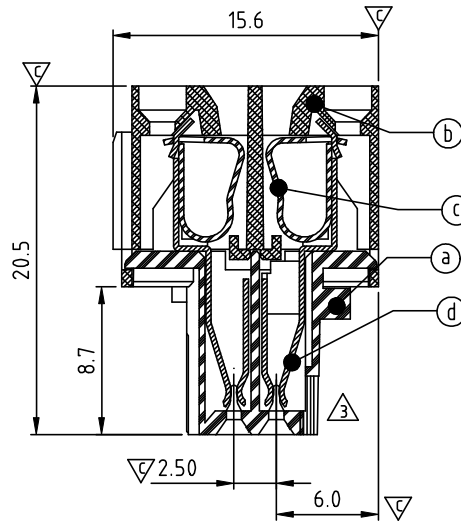
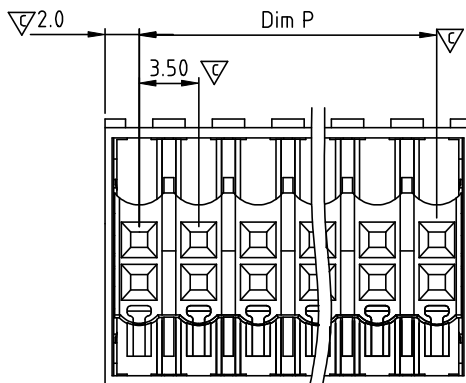
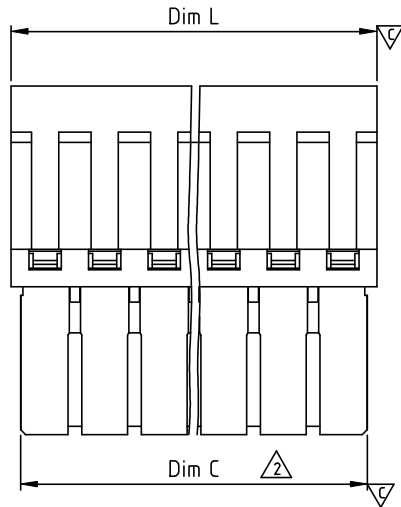
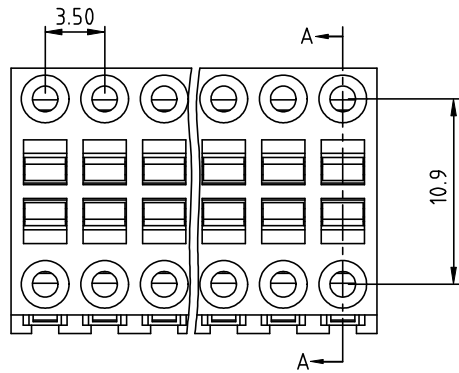
**Electrical**

- Voltage rating: 150V
- Current rating: 7A
- Solid wire(AWG): 18-28
- Stranded wire(AWG): 18-28
- Wire strip length: 7-8mm
- Withstanding Voltage: 1.6KV
- Operating temperature: -40°C to +115°C
- Safety Approval: us
- Critical dimension: ▽

**cULus**

**VW xx 10 x 0 xxxx G**

|                  |   |        |  |  |  |
|------------------|---|--------|--|--|--|
| NO of poles      | 0 | Black  |  |  | RoHS   |
| 04 2x2 CONTACTS  | 3 | Orange |  |  | Pb<40,000ppm   |
| 06 3x2 CONTACTS  | 5 | Green  |  |  | 0000 Standard @ Logo   |
| ...              | 6 | Blue   |  |  | 000A Standard ANY Logo   |
| 48 24x2 CONTACTS | 8 | Grey   |  |  | Any special item by customer request, please contact sales department. |



N=Number of poles

|                                      |
|--------------------------------------|
| $Dim L = (N/2 - 1) \times 3.5 + 4.0$ |
| $Dim P = (N/2 - 1) \times 3.5$       |
| $Dim C = N/2 \times 3.5 - 0.6$       |

| POLES       | Dim. Tol | Dim.L | Dim.P | Dim.C         |
|-------------|----------|-------|-------|---------------|
| 2x2p-2x6p   |          | ±0.15 | ±0.10 | +0.0<br>-0.15 |
| 2x7p-2x12p  |          | ±0.25 | ±0.20 | +0.0<br>-0.20 |
| 2x13p-2x18p |          | ±0.30 | ±0.25 | +0.0<br>-0.25 |
| 2x19p-2x24p |          | ±0.40 | ±0.35 | +0.0<br>-0.30 |

**ANYTEK**

**CUSTOMER COPY**

ALL RIGHTS RESERVED. REPRODUCTION OR ISSUE TO THIRD PARTIES IN ANY FORM WHATSOEVER IS NOT PERMITTED WITHOUT WRITTEN AUTHORITY FROM THE PROPRIETOR. PROPERTY OF ANYTEK TECHNOLOGY CO., LTD

|          |         |                            |                       |  |  |
|----------|---------|----------------------------|-----------------------|--|--|
| TITLE    |         | VW 3.5mm Series W/o flange |                       |  |  |
| PART NO. |         | VWxx10x0xxxxG              |                       | DWG NO. 8VW0002  |  |
| APPROVED | CHECKED | DESIGNED                   | DRAWN                 | CUST NO.   |  |
|          |         | Runner<br>2011.08.20       | Chen Bo<br>2011.05.25 |  |  |
|          |         |                            |                       |  |  |
|          |         |                            |                       | UNIT: mm<br>SCALE: NONE<br>SHEET: 01/01    REV.: D         |  |
|          |         |                            |                       | Tolerance<br>X. ±0.50<br>X.X ±0.30<br>X.XX ±0.10<br>X° ±1° |  |