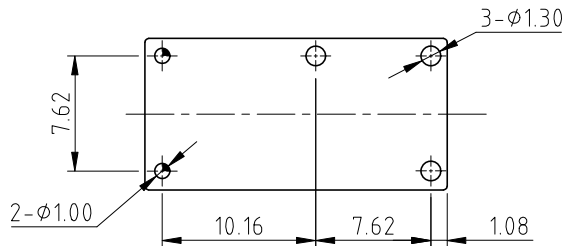
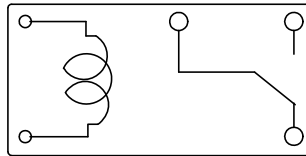
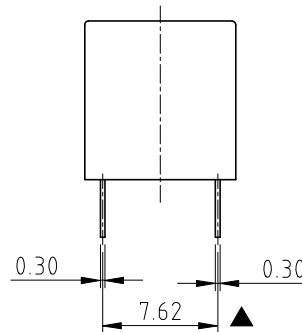
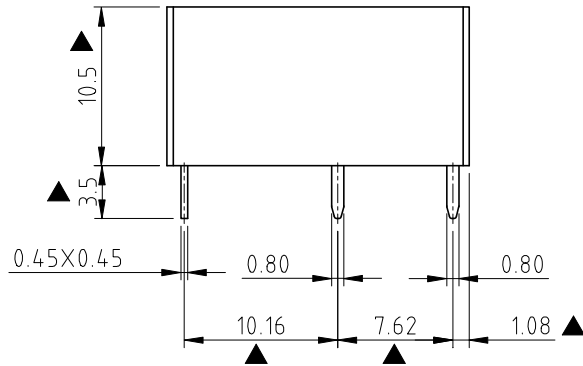
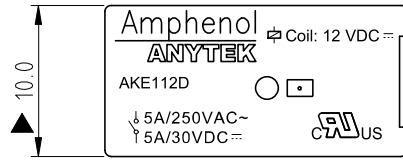


RoHS Compliant

REV	SIGN	DATE	DESCRIPTION	APPROVER
A0		2021.03.08	Initial Release	LENA
<i>THIS IS CAD DRAWING, DO NOT REVISE MANUALLY!!!</i>				



P.C.B. LAYOUT
Bottom View

Part No. AKE 1 12 D 00G

Coil Type
D : Standard DC Coil
Coil Voltage:
12: 12V(VDC)
Number of pole,
1: One Pole
TYPE : AKE

COIL SPECIFICATION

- Coil Nominal Voltage: 12V DC
- Coil Nominal Current: 16.7mA
- Coil Resistance: 720Ω ±10%
- Coil Power Consumption: Abt. 0.2W
- Pull-In Voltage(VDC): 9V Max
- Drop-Out Voltage(VDC): 0.6V Min
- Maximum Allowable Voltage: 18V
- Operate Time: 8 mSec. Max.
- Release Time: 6 mSec. Max.

CONTACT RATING

- Rated Load(Resistive): 5A 250V AC / 5A 30V DC
- Max. Allowable Voltage: AC 380V / DC 30V
- Max. Allowable Current: 5A
- Max. Allowable Power Force: 1250VA 150W
- Contact Material: Ag Alloy
- Contact Form: SPDT

ELECTRICAL

- Dielectric Strength:
 - Between Coil & Contact: 4,000V AC (50/60 Hz for 1 minute)
 - Between Contact: 1,000V AC (50/60 Hz for 1 minute)
- Contact Resistance: 100mΩ Max. at 1A, 6V DC
- Insulation Resistance: 100MΩ Min at 500V DC

MECHANICAL

- Life Expectancy(Operations):
 - Electrical: 1 x 10⁶ operations at Rated Resistive load
 - Mechanical: 1 x 10⁷ operations at No Resistive load
- Operating Temperature: -40°C ~ 85°C
- Safety Approval: UL

Amphenol ANYTEK

CUSTOMER COPY

ALL RIGHTS RESERVED. REPRODUCTION OR ISSUE TO THIRD PARTIES IN ANY FORM WHATSOEVER IS NOT PERMITTED WITHOUT WRITTEN AUTHORITY FROM THE PROPRIETOR. PROPERTY OF ANYTEK TECHNOLOGY CO., LTD

TITLE		AKE Series Relay, 12V DC,			DWG NO.		8AKE0004	
PART NO.		AKE112D00G		CUST NO.				
APPROVED	CHECKED	DESIGNED	DRAWN	Tolerance				
		LENA	LENA			X.	±0.50	
		2021.03.08	2021.03.08			X.X	±0.30	
SHEET: 01/01				UNIT: mm	X.XX	±0.10		
				SCALE: 2:1	X°	±1°		
				REV: A0				