



RoHS Compliant

REV	SIGN	DATE	DESCRIPTION	APPROVER
B		2018-01-02	Initial release	Zhuhua
THIS IS CAD DRAWING, DO NOT REVISE MANUALLY!!!				

Material:

- Item ① Contact pin: Copper, Tin plated
- Item ② Insulator(housing): Thermoplastic (UL94V-0)
- Item ③ With flange nut: Brass ,M2.5

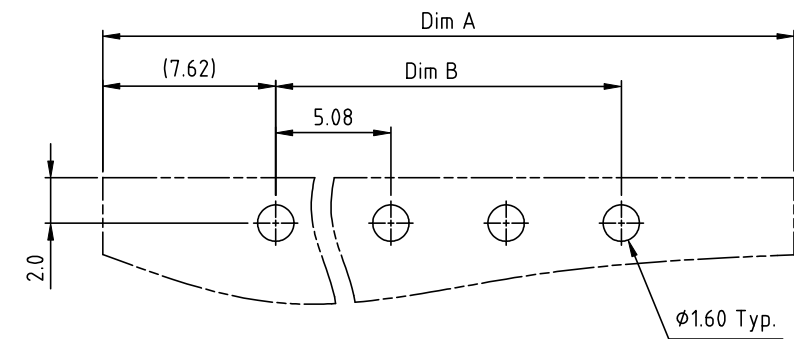
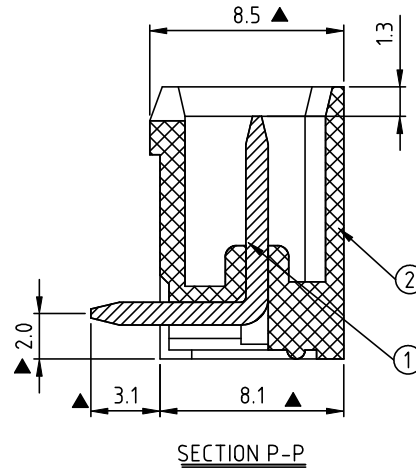
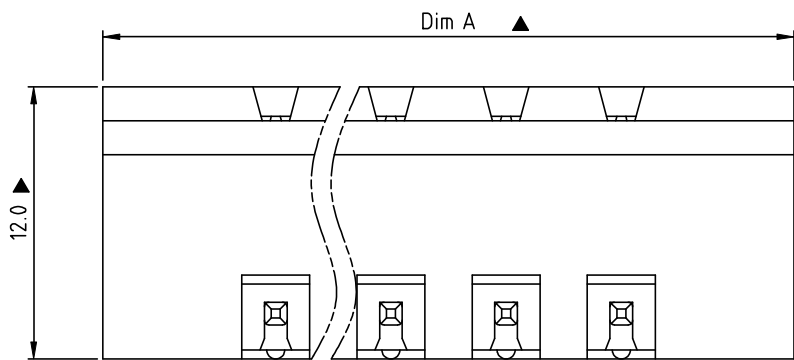
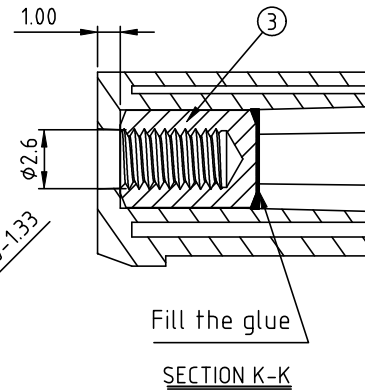
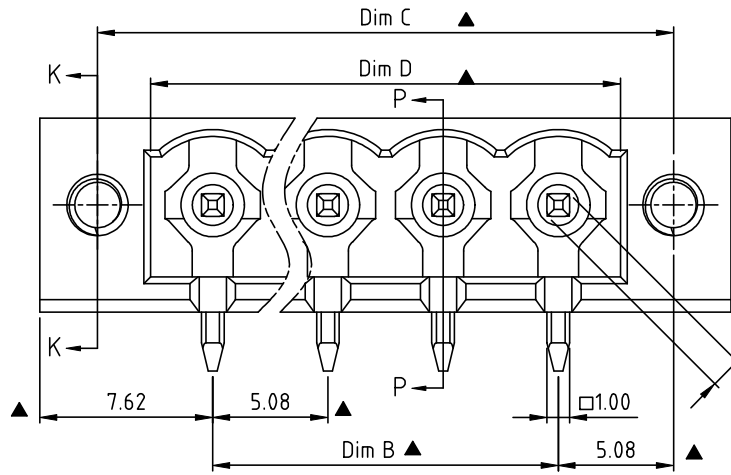
Electrical: cULus

- Voltage rating: 300V
- Current rating: 20A
- Withstanding Voltage: 1.6 KV
- Operating temperature: -40°C to +115°C
- Wave soldering temperature: 260°C±5°C/5 Sec
- Safety Approval: 
- Critical dimension: 

OQ xx 5 5 x A xxxx G

No. OF POLES
02: 2 POLES
.....
24: 24 POLES

- G RoHS compliant (lead<4%) In copper Alloy
- 0000 "@ " Logo
- 000A "ANY" Logo
-
- Any special item by customer request, please contact sales department
- 0 Black (RAL9005)
- 2 Red (RAL3001/D)
- 3 Orange(RAL2011/P)
- 4 Yellow(RAL1018/A)
- 5 Green(RAL6018/T)
- 6 Blue (RAL5015/A)
- 8 Grey(RAL7035/D)
- 9 White(RAL1102)
- C Green(RAL6018/U)



DIMENSION

Dim A	(N+2) × 5.08
Dim B	(N-1) × 5.08
Dim C	(N-1) × 5.08+10.16
Dim D	(N-1) × 5.08+5.48

N = Number of poles

2p-6p	±0.15
7p-12p	±0.25
13p-16p	±0.35
17p-24p	±0.40

Amphenol
ANYTEK

CUSTOMER COPY

ALL RIGHTS RESERVED. REPRODUCTION OR ISSUE TO THIRD PARTIES IN ANY FORM WHATSOEVER IS NOT PERMITTED WITHOUT WRITTEN AUTHORITY FROM THE PROPRIETOR. PROPERTY OF ANYTEK TECHNOLOGY CO., LTD

TITLE		OQ 5.08mm 90° /With Flange Series 特殊折弯 (反向)		
PART NO.	OQxx55xAxxxxG	DWG NO.	80Q07439	
APPROVED	CHECKED	DESIGNED	DRAWN	CUST NO.
		Zhuhua 2018.01.02	Zhuhua 2018.01.02	
				UNIT: mm
				SCALE: NONE
				Tolerance
				X. ±0.50
				X.X ±0.30
				X.XX ±0.10
				X° ±1°
				SHEET: 01/01
				REV.: B